

INSIGNIA™

2-Door Compact Refrigerator

NS-CF30SS9/NS-CF30SS9-C



Before using your new product, please read these instructions to prevent any damage.

Contents

Introduction	3
Important Safety Instructions	3
Grounding requirement	5
Features	6
Package contents	6
Main components	6
Dimensions	7
Preparing to install your refrigerator	7
Before using your refrigerator	7
Finding a suitable location	7
Leveling your refrigerator	8
Providing proper ventilation	8
Providing a proper power supply	8
Setting the thermostat	9
Using the freezer compartment	9
Making ice	9
Defrosting your refrigerator	10
Reversing the door position	10
Before you begin	10
Removing the door	10
Reinstalling the doors	12
Maintaining your refrigerator	14
Cleaning the interior of your refrigerator	14
Changing the interior light	14
Turning off your refrigerator for extended periods	14
Moving your refrigerator	15
Tips on saving energy	15
Troubleshooting	15
Specifications	18
ONE-YEAR LIMITED WARRANTY	19

Introduction

Congratulations on your purchase of a high-quality Insignia product. Your NS-CF30SS9 or NS-CF30SS9-C represents the state of the art in compact refrigerator design and is designed for reliable and trouble-free performance.

Important Safety Instructions



This symbol indicates that dangerous voltage constituting a risk of electric shock is present within your compact refrigerator.



This symbol indicates that there are important operating and maintenance instructions in the literature accompanying your compact refrigerator.

WARNING

- 1 Read these instructions.
- 2 Keep these instructions.
- 3 Heed all warnings.
- 4 Follow all instructions.
- 5 Do not use this appliance near water.
- 6 Clean only with a damp cloth.
- 7 Do not block any ventilation openings. Install in accordance with the manufacturer's instructions.
- 8 Do not install near any heat sources, such as radiators, heat registers, stoves, or other apparatuses (including amplifiers) that produce heat.
- 9 Do not defeat the safety purpose of the polarized or grounding-type plug. A polarized plug has two blades with one wider than the other. A grounding-type plug has two blades and a third grounding prong. The wide blade or the third prong is provided for your safety. If the provided plug does not fit into your outlet, consult an electrician for replacement of the obsolete outlet.
- 10 Protect the power cord from being walked on or pinched, particularly at plugs, convenience receptacles, and the point where they exit from the appliance.
- 11 Do not attempt to modify or extend the power cord of this appliance.
- 12 Unplug this appliance during lightning storms or when it will not be used for long periods of time.

- 13 Make sure that the available AC power matches the voltage requirements of this appliance.
- 14 Do not handle the plug with wet hands. This could result in an electric shock.
- 15 Unplug the power cord by holding the plug, never by pulling the cord.
- 16 Do not turn the appliance on or off by plugging or unplugging the power cord.
- 17 Turn off the appliance before unplugging it.
- 18 Refer all servicing to qualified service personnel. Servicing is required when the appliance has been damaged in any way, such as when the power-supply cord or plug is damaged, when liquid has been spilled or objects have fallen into the appliance, or when the appliance has been exposed to rain or moisture, does not operate normally, or has been dropped.
- 19 To reduce the risk of fire or electric shock, do not expose this appliance to rain, moisture, dripping, or splashing, and do not place objects filled with liquid on top of it.
- 20 If the supply cord is damaged, it must be replaced by the manufacturer, its service agent, or a similarly qualified person in order to avoid a hazard.



WARNING

Electric Shock Hazard

Failure to follow these instructions can result in electric shock, fire, or death.

- 1 **WARNING**—Keep ventilation openings, in the appliance enclosure or in the built-in structure, clear of obstruction.
- 2 **WARNING**—Do not touch the interior of the freezer compartment with wet hands. This could result in frost bite.
- 3 **WARNING**—Do not use mechanical devices or other means to accelerate the defrosting process, other than those recommended by the manufacturer.
- 4 **WARNING**—Do not damage the refrigerant circuit when handling, moving, or using the refrigerator.
- 5 **WARNING**—Do not use electrical appliances inside the food storage compartment of the refrigerator unless they are of the type recommended by the manufacturer.
- 6 **WARNING—DANGER**—Never allow children to play with, operate, or crawl inside the refrigerator.
- 7 Risk of child entrapment. Before you throw away your old refrigerator or freezer:
 - 1) Take off the doors
 - 2) Leave the shelves in place so that children may not easily climb inside
- 8 Unplug the refrigerator before carrying out user maintenance on it.



- 9 This appliance is not intended for use by persons (including children) with reduced physical, sensory or mental capabilities, or lack of experience and knowledge, unless they have been given supervision or instruction concerning use of the appliance by a person responsible for their safety. Children should be supervised to ensure that they do not play with the appliance. Cleaning and maintenance should not be performed by children without supervision.
- 10 If a component part is damaged, it must be replaced by the manufacturer, its service agent, or similar qualified persons in order to avoid a hazard.
- 11 Follow local regulations regarding disposal of the appliance due to flammable refrigerant and gas. All refrigeration products contain refrigerants, which under the guidelines of federal law must be removed before disposal. It is the consumer's responsibility to comply with federal and local regulations when disposing of this product.
- 12 This appliance is intended to be used in household and similar environments.
- 13 Do not store or use gasoline or any flammable liquids inside or in the vicinity of this refrigerator.
- 14 Do not use extension cords or ungrounded (two prong) adapters with this appliance. If the power cord is too short, have a qualified electrician install an outlet near the appliance. Use of an extension cord can negatively affect the refrigerator's performance.
- 15 Do not store explosive substances, such as aerosol cans with a flammable propellant, in this appliance
- 16 This appliance is intended to be used in household and similar applications such as:
 - Staff kitchen areas in shops, offices, and other working environments;
 - Farm houses and by clients in hotels, motels, and other residential type environments;
 - Bed and breakfast type environments;
 - Catering and similar non-retail applications.
- 17 Lamp replacement by professionals.

Grounding requirement

This appliance must be grounded. This appliance is equipped with a cord having a grounding wire with a grounding plug. The plug must be inserted into an outlet that is properly installed and grounded.

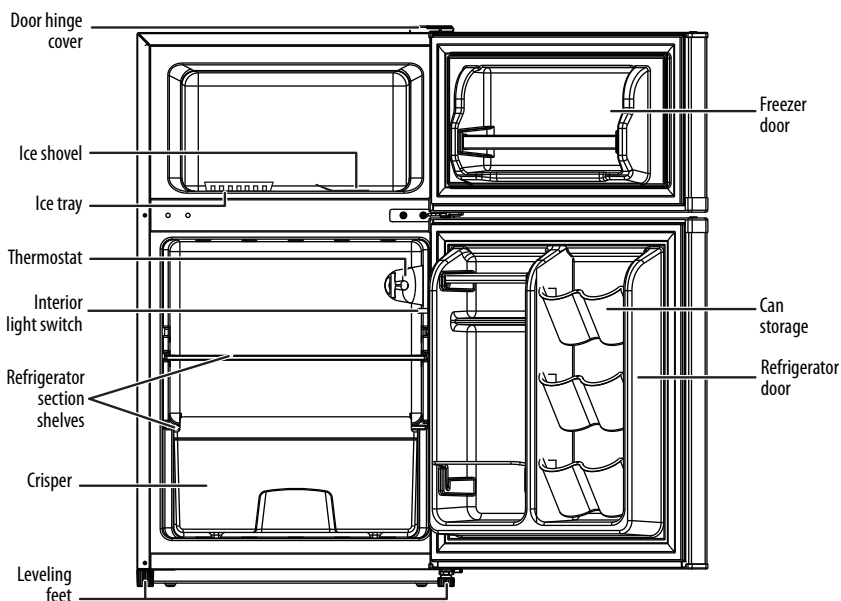
Improper use of the grounding plug can result in a risk of electric shock. Consult a qualified electrician or service person if the grounding instructions are not completely understood, or if doubt exists as to whether the appliance is properly grounded.

Features

Package contents

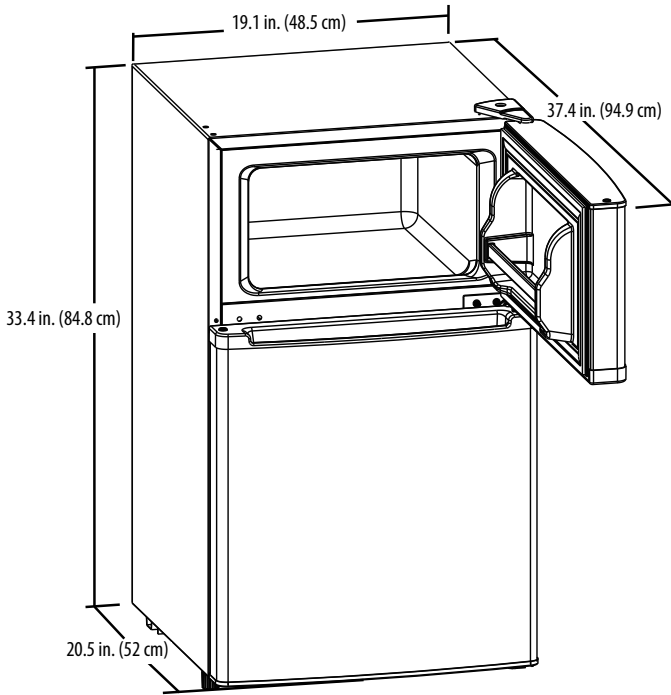
- 2-door compact refrigerator
- Adjustable shelves
- Ice cube tray
- Defrost shovel
- *User Guide*
- Pivot pin with screw

Main components



Note: To remove a refrigerator shelf, lift it up, then slide it out.

Dimensions



Preparing to install your refrigerator

Before using your refrigerator

- Remove the exterior and interior packaging.
- Let the refrigerator stand upright for approximately four hours before connecting it to power. This reduces the possibility of a malfunction in the cooling system from improper handling during transportation.
- Clean the interior surface with a damp, warm cloth.

Finding a suitable location

- This refrigerator is designed to be free standing only, and should not be recessed or built-in.
- Place your refrigerator on a floor that is strong enough to support the refrigerator when it is fully loaded.
- Allow 5 in. (12.7 cm) of space between the back and sides of the refrigerator and any surrounding walls. This allows for proper air ventilation. Adjust the feet to keep the refrigerator level.

- Locate the refrigerator away from direct sunlight and sources of heat (stove, heater, radiator, and so on). Direct sunlight may affect the acrylic coating and heat sources may increase electrical consumption. Ambient temperature below 50°F (10°C) or above 85°F (29.4°C) will hinder the performance of this refrigerator. This refrigerator can be placed in a garage as long as the ambient temperature in the garage is between 50°F (10°C) and 85°F (29.4°C). It is not designed for use outside.
- Avoid locating the refrigerator in moist areas.
- This refrigerator can be placed on carpet, but care should be taken not to damage the carpet when moving the refrigerator.

Leveling your refrigerator

- It is very important for the refrigerator to be level in order to function properly. If the refrigerator is not leveled during installation, the doors may not close or seal properly, causing cooling, frost, or moisture problems.
- To level your refrigerator, you may either turn the leveling foot clockwise to raise that side of the refrigerator or turn it counter-clockwise to lower that side.

Note: Having someone push against the top of the refrigerator helps to take some weight off the leveling foot, making it easier to adjust.

Providing proper ventilation

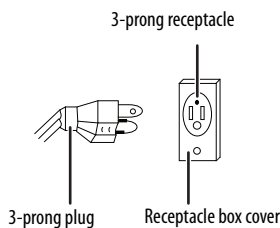
Place the refrigerator at least 5 in. (12.7 cm) from the wall to ensure proper airflow to the compressor. Do not place the refrigerator near any heat sources, such as a heater or stove, as this may put strain on the compressor.

Providing a proper power supply

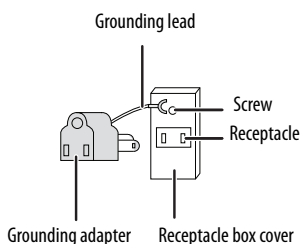
Check your local power source. This refrigerator requires a 110V-120V, 60Hz power supply.

Use a receptacle that accepts the grounding prong. The power cord is equipped with a 3-prong (grounding) plug which goes into a standard 3-prong (grounding) wall outlet to minimize the possibility of electric shock.

Using a 3-prong plug and outlet



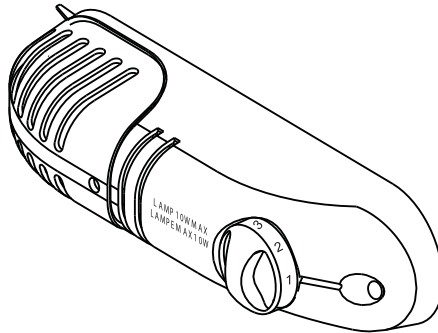
Using a grounding adapter



Notes:

- The refrigerator should always be plugged into its own individual electrical outlet which has a voltage rating that matches the rating plate.
- Never unplug your refrigerator by pulling on the power cord. Always grip the plug firmly and pull straight out from the outlet.

Setting the thermostat



- 1 The first time you turn the refrigerator on, adjust the thermostat to “7” and run for at least two hours before putting food in.
- 2 After it is fully cooled, test it and adjust towards “4” to make it less cool, to best suit your needs. The “4” setting should be appropriate for home or office refrigerator use.

Notes:

- Turning the thermostat to the “0” position stops the cooling cycle but does not shut off the power to the refrigerator.
- If the refrigerator is unplugged or loses power, you must wait three to five minutes before restarting it. If you attempt to restart before this time delay, the refrigerator will not start.
- Large amounts of food will lower the cooling efficiency of the refrigerator.
- If you choose to change the thermostat setting, adjust it by one increment at a time. Allow several hours for the temperature to stabilize between adjustments.

Using the freezer compartment

The freezer compartment is designed for the long-term storage of frozen foods.

The storage life of frozen foods varies and the recommended storage time should not be exceeded.

Place frozen food into the freezer as quickly as possible after purchasing. If there are instructions on the packet, carefully follow these instructions regarding storage times.

Making ice

- 1 Set the thermostat to “7”.
- 2 Fill the ice cube tray (2/3 capacity) with cold water and place the tray on the bottom of the freezer compartment to freeze properly.
- 3 When the water in the ice cube tray has hardened, remove the ice tray from the freezer, then twist slightly to eject the ice cubes from the tray.
- 4 Re-set the thermostat to “4” when you are done making ice.

Defrosting your refrigerator

This refrigerator is not designed to defrost automatically. In order to prevent damage to the interior liner of the refrigerator from excessive frost build-up, defrost the refrigerator every three months or when ice or frost is approximately ¼" (6 mm) thick inside the freezer compartment.

- 1 Set the thermostat to "0", then remove all contents from the freezer compartment.
- 2 Leave the freezer door open to allow accumulated ice and frost to melt. Remove large pieces of ice as needed.

CAUTION:

- Do not use hot water or electric heating devices to melt the accumulated ice.
- The refrigerator door must remain closed while defrosting the freezer.

- 3 After defrosting, remove accumulated ice and water, then wipe the freezer compartment dry with a soft cloth.
- 4 Even though ice is not visibly present in the freezer compartment, allow the evaporator, located behind the freezer wall, to completely defrost for approximately two hours (total) before restarting the refrigerator.
- 5 Restart following the instructions in "Setting the thermostat" on page 9.

Reversing the door position

Your refrigerator is built with a reversible door. Based on the location where you plan to use your compact refrigerator, you may find it more convenient to reverse the position of the door, to have it open from right to left instead of left to right.

CAUTION: To avoid injury to yourself or your property, we recommend that someone assist you during the door reversal process.

Before you begin

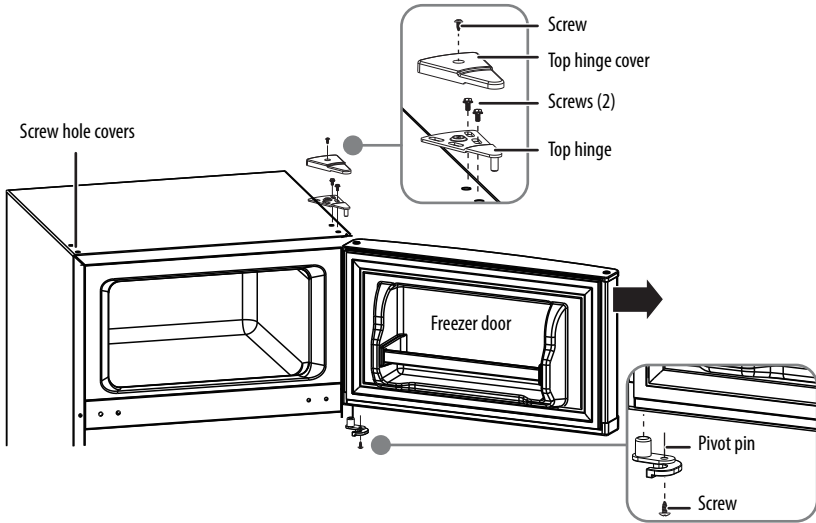
You will need: A 10 mm socket driver and a Phillips screw driver.

- Make sure that your refrigerator is unplugged and empty.
- Have someone available to assist you in the process.
- Keep all of the parts you remove to reuse them later.
- Removing the door requires that the refrigerator be tilted backwards. Rest the refrigerator on something solid, such as a chair, just below the top panel.
- Do not lay the refrigerator completely flat so that you do not damage the coolant system.

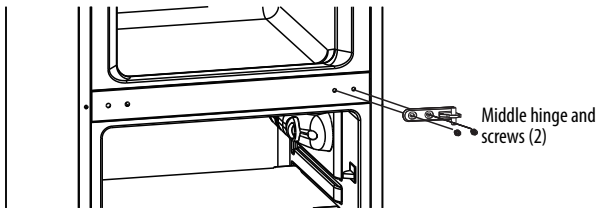
Removing the door

- 1 Remove the screw holding the top hinge cover to the top of your refrigerator, then remove the top hinge cover.
- 2 Remove the screws holding the top hinge to your refrigerator, then remove the hinge. Pull the freezer door upwards and remove it from the refrigerator.

- Remove the screw hole covers from the top left side of your refrigerator. Keep the screw hole covers in a handy place. You need them later.

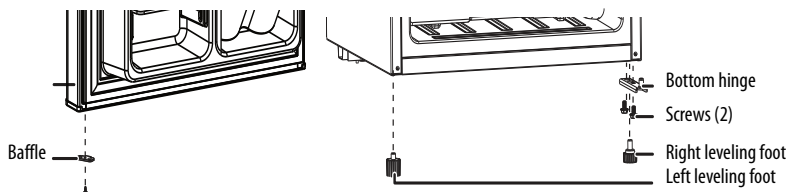


- Remove the screw holding the pivot pin on the bottom right side of the freezer door, then remove the pivot pin.
- Remove the two screws holding the middle hinge to the refrigerator body, then remove the hinge.



- Pull the refrigerator door upwards and remove it from the refrigerator.
- Tilt the refrigerator back.
- Unscrew the right and left leveling feet, then remove them.

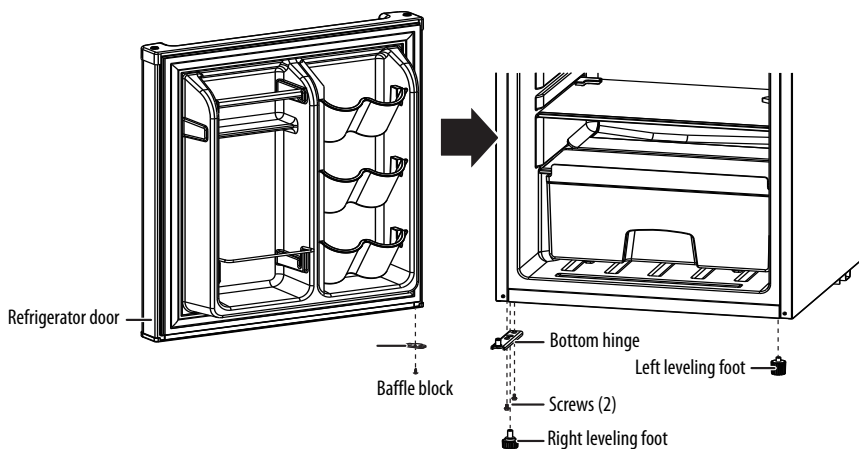
- 9 Remove the two screws holding the bottom hinge on the refrigerator and remove the hinge.



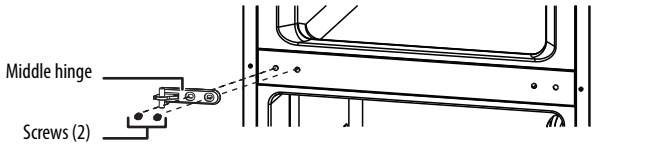
- 10 Remove the baffle block from the bottom-right side of the door.

Reinstalling the doors

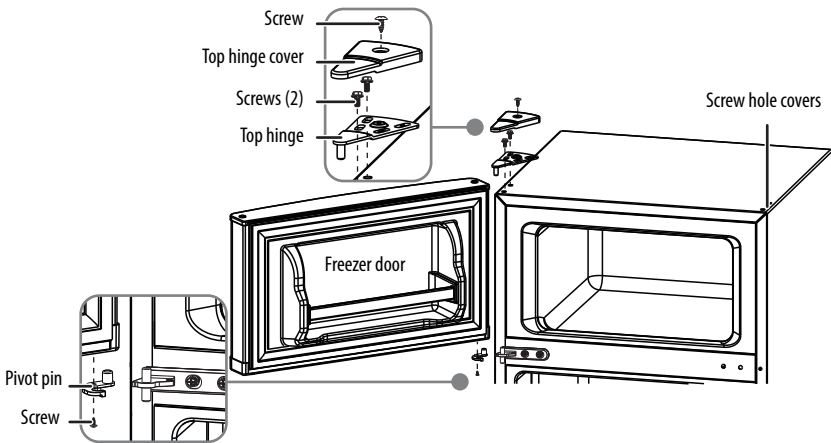
- 1 Install the baffle block on the bottom-left side of the door.
- 2 Install the leveling foot you removed from the left side into the right-bottom of your refrigerator and install the leveling foot you removed from the right side into the left bottom.
- 3 Align the hole in the bottom left of the refrigerator door with the bottom hinge pin and install the door on the hinge pin.
- 4 Install the bottom hinge on the left bottom of your refrigerator using the screws you previously removed. Tighten the screws.



- 5 Place the middle hinge pin into the left top of the refrigerator door, then install the middle hinge on the left of the refrigerator with the screws you previously removed. Do not fully tighten the screws.



- 6 Check the fit and alignment (vertical and horizontal) of the door and make sure that it opens and closes freely, then tighten the screws holding the middle hinge.
- 7 Install the pivot pin on the bottom-left of the freezer door using the screw you previously removed.
- 8 Align the hole on the bottom-left of the freezer door with the top pin on the middle hinge, then install the freezer door on the hinge pin.
- 9 Place the top hinge pin into the top of the freezer door, then install the top hinge on the top left side of the refrigerator with the screws you previously removed.
- 10 Check the fit and alignment (vertical and horizontal) of the door and make sure that it moves freely open and closed, then tighten the screws holding the top hinge.



- 11 Install the screw hole covers you removed previously from the holes on the top left side of your refrigerator into the holes on the top right of your refrigerator.
- 12 Adjust the leveling feet to level the refrigerator.

Maintaining your refrigerator

Your refrigerator is designed for year-round use with only minimal cleaning and maintenance.

When you first receive it, wipe the case with a mild detergent and warm water, then wipe dry with a dry cloth. Do this periodically to keep your refrigerator looking new.

CAUTION: To prevent damage to the finish, do not use:

- Gasoline, benzine, thinner, or other similar solvents.
- Abrasive cleaners.

Cleaning the interior of your refrigerator

- 1 Turn off the refrigerator and unplug it from the wall outlet.
- 2 Remove all food.
- 3 Wash the inside with a damp, warm cloth.

Note: It is recommended that you soak your cloth in a baking soda solution before washing the interior. Mix one quart of warm water and two tablespoons of baking soda.

- 4 Dry the interior and exterior with a soft cloth.

Changing the interior light

CAUTION:

- All parts removed must be saved to reinstall the light bulb.
- Before removing the light bulb, unplug the refrigerator from the power supply. Failure to do so could result in electrical shock or personal injury.

- 1 Hold the lamp cover and push toward the inside of the cabinet to remove it from the refrigerator compartment.
- 2 Unscrew the old bulb, then install the new bulb (10W/12E).
- 3 Re-install the lamp cover.

Turning off your refrigerator for extended periods

- 1 Turn off the refrigerator and unplug it from the wall outlet.
- 2 Remove all food.
- 3 Clean the refrigerator.
- 4 Leave the door open slightly to avoid possible formation of condensation, mold, or odor.

CAUTION: Use extreme caution with children. The refrigerator should not be accessible to child's play.

Moving your refrigerator

- 1 Turn off the refrigerator and unplug it from the wall outlet.
- 2 Remove all food.
- 3 Securely tape down all loose items inside of your refrigerator.
- 4 Tape the doors shut.

Note: Make sure that your refrigerator stays in an upright position during transportation.

Tips on saving energy

- Place your refrigerator in the coolest area of the room, away from heat-producing appliances or heating ducts, and out of direct sunlight.
- Let hot foods cool before placing them in the refrigerator. Overloading the refrigerator forces the compressor to run longer. Foods that freeze too slowly may lose quality or spoil.
- Wrap foods properly and wipe containers dry before placing them in the refrigerator. This cuts down on frost build-up inside the refrigerator.
- Organize and label food to reduce door openings and extended searches.

Troubleshooting

CAUTION: Do not try to repair your refrigerator yourself. Doing so invalidates the warranty.

PROBLEM	SOLUTION
My refrigerator does not work.	<ul style="list-style-type: none"> • Make sure that your refrigerator is securely plugged into a working outlet. • Make sure that your power source has the correct voltage. Your refrigerator's voltage rating is on a label on the back of your refrigerator. • Check the house fuse or circuit breaker box and replace the fuse or reset the circuit breaker.
The refrigerator compartment has a bad odor.	<ul style="list-style-type: none"> • Make sure that all food with a strong odor (like onions) is wrapped or stored in airtight packaging. • Certain containers and wrapping materials (such as paper, foil, or plastic) can cause odors. If you think this might be the case, try using different containers or a different brand of wrapping material. • Check for spoiled food and remove it. • Clean the inside of your refrigerator. See Maintaining your refrigerator on page 14.

PROBLEM	SOLUTION
The refrigerator doors do not close completely.	<ul style="list-style-type: none"> • Make sure that no food packages are in the way. • Make sure that the door gaskets (seals) are clean. See Maintaining your refrigerator on page 14. • If the door gasket does not seal, try heating then cooling the seal. You can use an electric hair dryer to heat the seal. • Make sure that your refrigerator is level. See Leveling your refrigerator on page 8. • Make sure that the top of your refrigerator is tilted backward about 0.4" (10 mm) to 0.6" (15 mm). See Leveling your refrigerator on page 8.
The temperature is too hot.	<ul style="list-style-type: none"> • You may have left the doors open too long or opened them too frequently. • Make sure that no obstacle is keeping the doors from closing correctly. • Adjust the refrigerator or freezer compartment temperature. See Setting the thermostat on page 9. • Your refrigerator may not have enough clearance from walls or the ceiling. See Providing proper ventilation on page 8.
The temperature is too cold.	<ul style="list-style-type: none"> • Adjust the refrigerator or freezer compartment temperature. See Setting the thermostat on page 9.
A layer of frost occurs in one of the compartments.	<ul style="list-style-type: none"> • A layer of frost may occur on the compartment's interior walls if the freezer is opened frequently or kept open too long. • Make sure that the air outlets are not blocked by food. • Make sure that the doors are fully closed. • To remove the frost, see Defrosting your refrigerator on page 10.
The refrigerator door is hard to open.	<ul style="list-style-type: none"> • When you open the refrigerator door, warm air rushes inside. When you close the door, the warm air rushes to the condenser which causes a vacuum. This causes the door to be hard to open for about 10 to 15 seconds after closing. • If the door is hard to open at other times, try rubbing paraffin wax or petroleum jelly along the edges of the entire gasket. Paraffin wax is used for canning and is safe for use around food.

PROBLEM	SOLUTION
The compressor runs for a long time or turns on and off frequently.	<p>The compressor runs longer if:</p> <ul style="list-style-type: none"> • The room temperature is high. • You just added a large amount of food. Wait for the food to freeze, then check again. • You open and close the door frequently. • The door gasket is dirty. Clean the gasket. See Maintaining your refrigerator on page 14. • Your refrigerator has been disconnected for a period of time. Wait for your refrigerator to cool (about four hours) before adding food. • You have the temperature set too low.
The light inside the refrigerator does not turn on.	<ul style="list-style-type: none"> • Make sure that your refrigerator is plugged into a working outlet. • If a door stays open too long, your refrigerator automatically turns off the light. • Close then open the door again. • Check to see if the light is damaged. If the light is damaged, have it replaced by a qualified service technician. See Changing the interior light on page 14.
The refrigerator makes unusual noises or vibrations.	<p>The following sounds are normal:</p> <ul style="list-style-type: none"> • Compressor running noises. • Air movement noise from the small fan motor in the freezer compartment or other compartments. • Gurgling sound similar to water boiling. • Clicking noise before the compressor starts. <p>Other unusual noises or vibrations may occur:</p> <ul style="list-style-type: none"> • If you have items on the top of your refrigerator. Remove the items. • If your refrigerator is not level. See Leveling your refrigerator on page 8. • If your refrigerator is touching walls. Move it away from the walls. • If the shelves or drawers are installed incorrectly.
The outside of the refrigerator is hot.	<p>Heat dissipation from the condenser may make the outside feel hot. This is normal and happens if:</p> <ul style="list-style-type: none"> • The room temperature is high. • You have too much food in your refrigerator. • You open and close the doors excessively.
Water condenses on the outside of the refrigerator.	<ul style="list-style-type: none"> • Condensation on the exterior surface and door seal is normal when the room humidity is high. • When you open the door, warm, moist outside air meets the cold dry air inside your refrigerator. This is normal.

Specifications

Dimensions (W x D x H)	19.1 x 20.5 x 33.4 in (48.5 x 52.0 x 84.8 cm)
Weight	55 lbs (24.92 kg)
Power requirements	115 V~60 Hz
Current	1.5 A
Power consumption (annual)	321 kwh
Power cord length	5 ft. 1 in. (+/- 2 in.)(1.55 m [+/- .05 m])

ONE-YEAR LIMITED WARRANTY

Definitions:

The Distributor* of Insignia branded products warrants to you, the original purchaser of this new Insignia-branded product ("Product"), that the Product shall be free of defects in the original manufacturer of the material or workmanship for a period of one (1) year from the date of your purchase of the Product ("Warranty Period").

For this warranty to apply, your Product must be purchased in the United States or Canada from a Best Buy branded retail store or online at www.bestbuy.com or www.bestbuy.ca and is packaged with this warranty statement.

How long does the coverage last?

The Warranty Period lasts for 1 year (365 days) from the date you purchased the Product. Your purchase date is printed on the receipt you received with the Product.

What does this warranty cover?

During the Warranty Period, if the original manufacture of the material or workmanship of the Product is determined to be defective by an authorized Insignia repair center or store personnel, Insignia will (at its sole option): (1) repair the Product with new or rebuilt parts; or (2) replace the Product at no charge with new or rebuilt comparable products or parts. Products and parts replaced under this warranty become the property of Insignia and are not returned to you. If service of Products or parts are required after the Warranty Period expires, you must pay all labor and parts charges. This warranty lasts as long as you own your Insignia Product during the Warranty Period. Warranty coverage terminates if you sell or otherwise transfer the Product.

How to obtain warranty service?

If you purchased the Product at a Best Buy retail store location or from a Best Buy online website (www.bestbuy.com or www.bestbuy.ca), please take your original receipt and the Product to any Best Buy store. Make sure that you place the Product in its original packaging or packaging that provides the same amount of protection as the original packaging.

To obtain warranty service, in the United States call 1-888-BESTBUY or in Canada call 1-866-BESTBUY. Call agents may diagnose and correct the issue over the phone.

Where is the warranty valid?

This warranty is valid only in the United States and Canada at Best Buy branded retail stores or websites to the original purchaser of the product in the county where the original purchase was made.

What does the warranty not cover?

This warranty does not cover:

- Customer instruction/education
- Installation
- Set up adjustments
- Cosmetic damage
- Damage due to weather, lightning, and other acts of God, such as power surges
- Accidental damage
- Misuse
- Abuse
- Negligence
- Commercial purposes/use, including but not limited to use in a place of business or in communal areas of a multiple dwelling condominium or apartment complex, or otherwise used in a place of other than a private home.
- Modification of any part of the Product, including the antenna
- Display panel damaged by static (non-moving) images applied for lengthy periods (burn-in).
- Damage due to incorrect operation or maintenance

- Connection to an incorrect voltage or power supply
- Attempted repair by any person not authorized by Insignia to service the Product
- Products sold “as is” or “with all faults”
- Consumables, including but not limited to batteries (i.e. AA, AAA, C, etc.)
- Products where the factory applied serial number has been altered or removed
- Loss or Theft of this product or any part of the product
- Display panels containing up to three (3) pixel failures (dots that are dark or incorrectly illuminated) grouped in an area smaller than one tenth (1/10) of the display size or up to five (5) pixel failures throughout the display. (Pixel based displays may contain a limited number of pixels that may not function normally.)
- Failures or Damage caused by any contact including but not limited to liquids, gels or pastes.

REPAIR REPLACEMENT AS PROVIDED UNDER THIS WARRANTY IS YOUR EXCLUSIVE REMEDY FOR BREACH OF WARRANTY. INSIGNIA SHALL NOT BE LIABLE FOR ANY INCIDENTAL OR CONSEQUENTIAL DAMAGES FOR THE BREACH OF ANY EXPRESS OR IMPLIED WARRANTY ON THIS PRODUCT, INCLUDING, BUT NOT LIMITED TO, LOST DATA, LOSS OF USE OF YOUR PRODUCT, LOST BUSINESS OR LOST PROFITS. INSIGNIA PRODUCTS MAKES NO OTHER EXPRESS WARRANTIES WITH RESPECT TO THE PRODUCT, ALL EXPRESS AND IMPLIED WARRANTIES FOR THE PRODUCT, INCLUDING BUT NOT LIMITED TO ANY IMPLIED WARRANTIES OF AND CONDITIONS OF MERCHANTABILITY AND FITNESS FOR A PARTICULAR PURPOSE, ARE LIMITED IN DURATION TO THE WARRANTY PERIOD SET FORTH ABOVE AND NO WARRANTIES, WHETHER EXPRESS OR IMPLIED, WILL APPLY AFTER THE WARRANTY PERIOD. SOME STATES, PROVINCES AND JURISDICTIONS DO NOT ALLOW LIMITATIONS ON HOW LONG AN IMPLIED WARRANTY LASTS, SO THE ABOVE LIMITATION MAY NOT APPLY TO YOU. THIS WARRANTY GIVES YOU SPECIFIC LEGAL RIGHTS, AND YOU MAY ALSO HAVE OTHER RIGHTS, WHICH VARY FROM STATE TO STATE OR PROVINCE TO PROVINCE.

Contact Insignia:

1-877-467-4289

www.insigniaproducts.com

INSIGNIA is a trademark of Best Buy and its affiliated companies.

*Distributed by Best Buy Purchasing, LLC

7601 Penn Ave South, Richfield, MN 55423 U.S.A.

©2020 Best Buy. All rights reserved.

INSIGNIA

www.insigniaproducts.com

1-877-467-4289 (U.S. and Canada) or 01-800-926-3000 (Mexico)

INSIGNIA is a trademark of Best Buy and its affiliated companies.

Distributed by Best Buy Purchasing, LLC

7601 Penn Ave South, Richfield, MN 55423 U.S.A.

©2020 Best Buy. All rights reserved.

V4 ENGLISH
20-0286