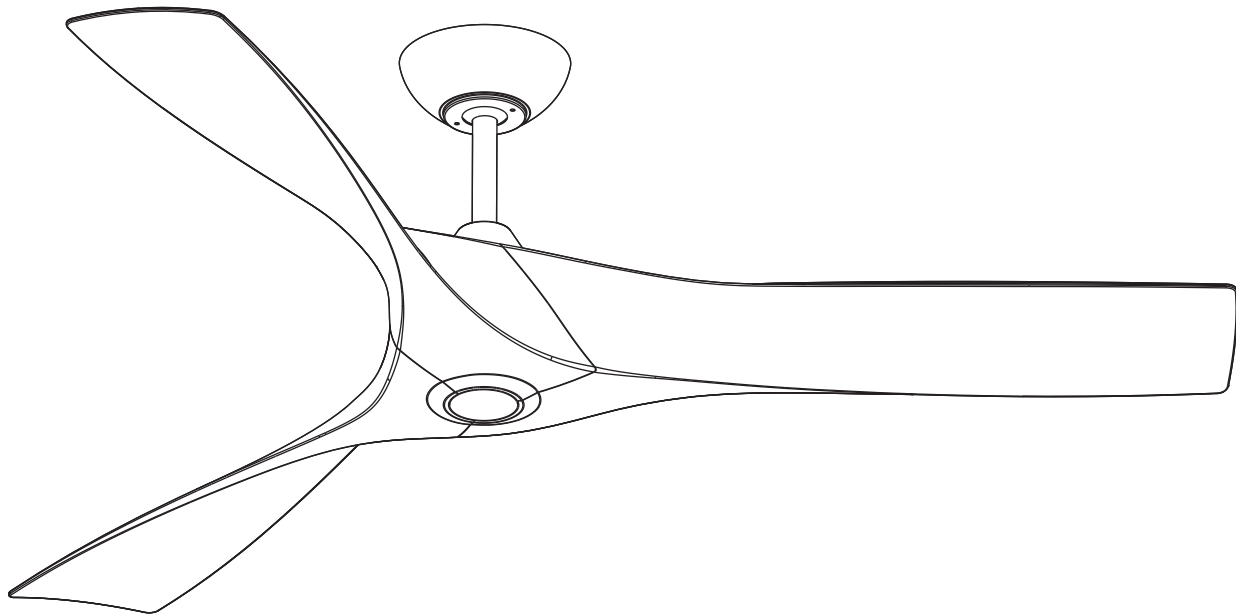


**HOME  
DECORATORS  
COLLECTION**

Item #/ Model #: 34776-HBUG (1004 292 109)  
Item #/ Model #: 34776-HBUM (1004 292 266)  
Item #/ Model #: 34776-HBU (1004 292 316)

# USE AND CARE GUIDE

## WESLEY 52 INCH CEILING FAN



Questions, problems, missing parts? Before returning to the store,  
call Home Decorators Collection Customer Service  
8 a.m. - 7 p.m., EST, Monday-Friday, 9 a.m. - 6 p.m., EST, Saturday.

1-800-986 3460

[HOMEDEPOT.COM/HOMEDECORATORS](http://HOMEDEPOT.COM/HOMEDECORATORS)

**THANK YOU**

*We appreciate the trust and confidence you have placed in Home Decorators Collection through the purchase of this ceiling fan. We strive to continually create quality products designed to enhance your home. Visit us online to see our full line of products available for your home improvement needs. Thank you for choosing Home Decorators Collection!*

# Table of Contents

Table of Contents .....	2	Assembly .....	7
Safety Information .....	2	Operation .....	12
Warranty .....	3	Care and Cleaning .....	14
Pre-installation .....	3	Troubleshooting .....	15
Installation .....	6	FCC Statement .....	16

# Safety Information

## READ AND SAVE THESE INSTRUCTIONS.

1. To reduce the risk of electric shock, ensure electricity has been turned off at the circuit breaker or fuse box before you begin.
2. All wiring must be in accordance with the National Electrical Code “ANSI/NFPA 70” and local electrical codes. Electrical installation should be performed by a qualified licensed electrician.
3. The outlet box and support structure must be securely mounted and capable of reliably supporting a minimum of 35 lbs (15.9 kg). Use only UL Listed outlet boxes marked “Acceptable for Fan Support of 35 lbs. (15.9 kg) or less.”
4. Do not place objects in the path of the blades.
5. Do not use water or detergents when cleaning the fan or fan blades. A dry dust cloth or lightly dampened cloth will be suitable for most cleaning.
6. After making electrical connections, spliced conductors should be turned upward and pushed carefully up into the outlet box. The wires should be spread apart with the grounded conductor and the equipment-grounding conductor on one side of the outlet box and ungrounded conductor on the other side of the outlet box.
7. All setscrews must be checked and retightened where necessary before installation.



**WARNING:** To reduce the risk of electrical shock or fire, not use this fan with any solid-state fan speed control device. It will permanently damage the electronic circuitry.



**WARNING:** To reduce the risk of personal injury, do not bend the blade brackets when installing the brackets balancing the blades, or cleaning the fan. Do not insert foreign objects in between rotating fan blades.



**WARNING:** To reduce the risk of fire, electric shock or personal injury, mount to outlet box marked “acceptable for fan support of 35 lbs. (15.9Kg) or less” and use screws provided with the outlet box.



**WARNING:** To avoid possible electrical shock, turn the electricity off at the main fuse box before wiring.



**CAUTION:** To reduce the risk of personal injury, use only the screws provided with the outlet box.



**CAUTION:** To avoid personal injury or damage to the fan and other items, use caution when working around or cleaning the fan.



**CAUTION:** The fan must be mounted with a minimum of 7 ft (2.1 m) clearance from the trailing edge of the blades to the floor.



**CAUTION:** Changes or modifications not expressly approved by the party responsible for compliance could void the user’s authority to operate the equipment.



**WARNING:** To reduce the risk of electrical shock, this must be installed with an Isolating wall control/switch.

# Warranty

We warrant the fan motor to be free from defects in workmanship and material present at time of shipment from the factory for a period of lifetime after the date of purchase by the original purchaser. We also warrant that all other fan parts, excluding any glass or acrylic blades, to be free from defects in workmanship and material at the time of shipment from the factory for a period of two year after the date of purchase by the original purchaser. We agree to correct such defects without charge or at our option replace with a comparable or superior model if the product is returned. To obtain warranty service, you must present a copy of the receipt as proof of purchase. All costs of removing and reinstalling the product are your responsibility. Damage to any part such as by accident, misuse, improper installation or by affixing any accessories, is not covered by this warranty. Because of varying climatic conditions this warranty does not cover any changes in brass finish, including rusting, pitting, corroding, tarnishing or peeling. Brass finishes of this type give their longest useful life when protected from varying weather conditions. A certain amount of "wobble" is normal and should not be considered a defect. Servicing performed by unauthorized persons shall render the warranty invalid. There is no other express warranty. We hereby disclaim any and all warranties, including but not limited to those of merchantability and fitness for a particular purpose to the extent permitted by law. The duration of any implied warranty which cannot be disclaimed is limited to the time period as specified in the express warranty. Some states do not allow limitation on how long an implied warranty lasts, so the above limitation may not apply to you. The retailer shall not be liable for incidental, consequential, or special damages arising out of or in connection with product use or performance except as may otherwise be accorded by law. Some states do not allow the exclusion of incidental or consequential damages, so the above exclusion or limitation may not apply to you. This warranty gives specific legal rights, and you may also have other rights which vary from state to state. This warranty supersedes all prior warranties. Shipping costs for any return of product as part of a claim on the warranty must be paid by the customer.

Contact the Customer Service Team at 1-800-986 3460 or visit [www.HOMEDEPOT.COM/HOMEDECORATORS](http://www.HOMEDEPOT.COM/HOMEDECORATORS)

# Pre-Installation

## SPECIFICATIONS

Fan size	Speed	Volts	Amps	Watts	RPM	CFM	N.W.	G.W.	C.F.
52 in.	LOW	120	0.068	2.85	60	1984	4.45 kgs (9.79 lbs)	5.80 kgs (12.78 lbs)	2.68 ft.
	MED		0.265	15.80	135	4622			
	HIGH		0.500	33.00	180	6012			



**NOTE:** These are approximate measures. They do not include amps and wattage used by the light kit.

## TOOLS REQUIRED

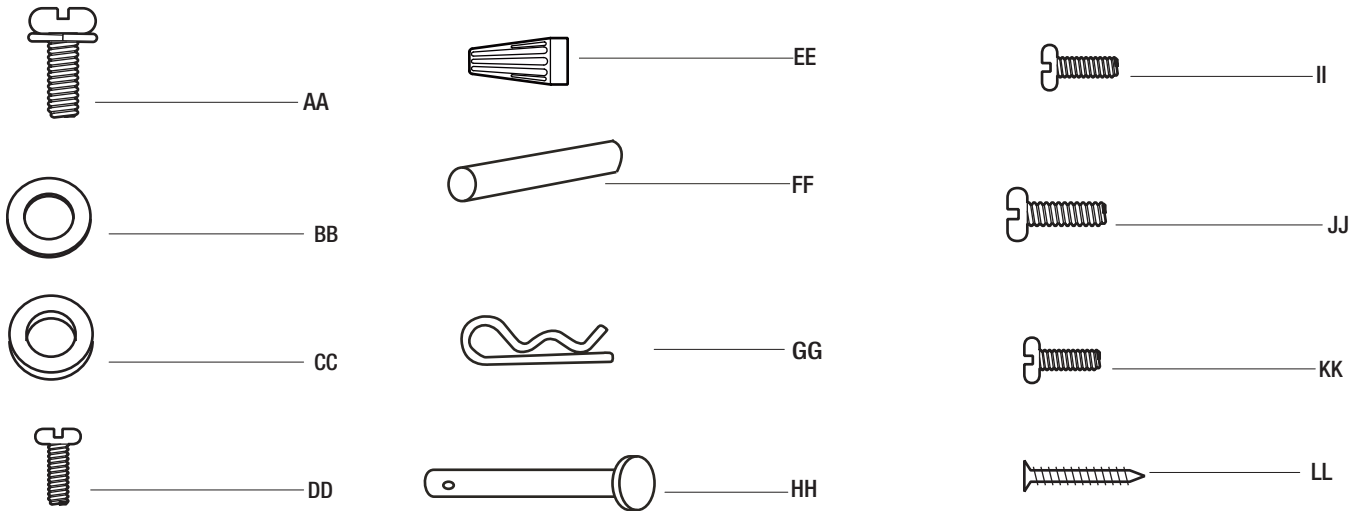


# Pre-Installation (continued)

## HARDWARE INCLUDED



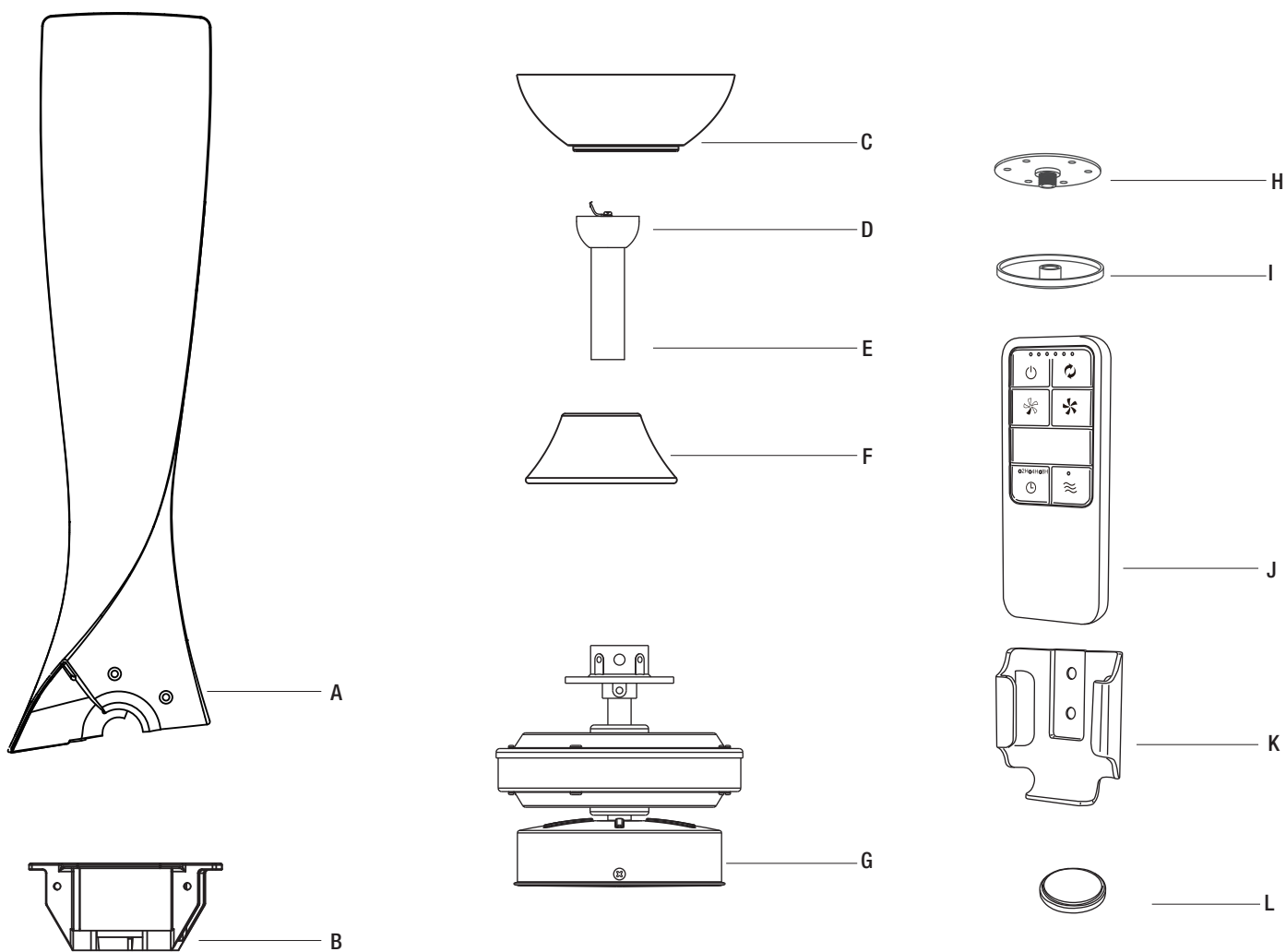
NOTE: Hardware shown to actual size



Part	Description	Quantity
AA	Blade screw with spring washer (preassembled)	6
BB	Metal washer (preassembled)	6
CC	Rubber washer (preassembled)	6
DD	Flywheel screw (preassembled)	6
EE	Wire nuts	3
FF	Cross pin (not to scale) (preassembled)	1
GG	Hitch pin (preassembled)	1
HH	Lock pin (not to scale) (preassembled)	1
II	Hanger ball set screw (preassembled)	1
JJ	Fan motor assembly coupling set screw (preassembled)	2
KK	Mounting bracket screw (preassembled)	2
LL	Remote control holder mounting screws	2

# Pre-Installation (continued)

## PACKAGE CONTENTS



Part	Description	Quantity
A	Blade	3
B	Mounting bracket	1
C	Canopy	1
D	Hanger ball (preassembled)	1
E	Downrod (preassembled)	1
F	Coupling cover	1

Part	Description	Quantity
G	Fan motor assembly	1
H	Flywheel	1
I	Finial	1
J	Remote control	1
K	Remote control holder	1
L	CR2032	1

# Installation

## MOUNTING OPTIONS



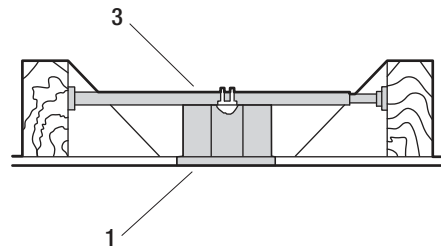
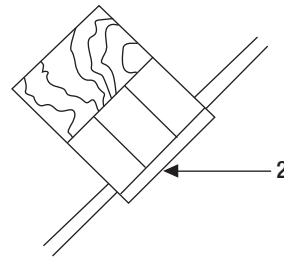
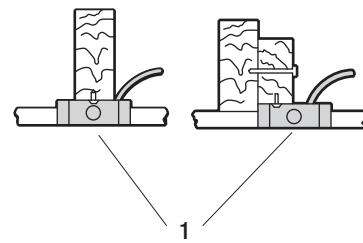
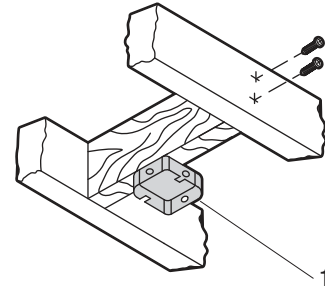
**WARNING:** To reduce the risk of fire, electric shock, or personal injury, mount the fan to an outlet box marked acceptable for fan support. An outlet box commonly used for the support of lighting fixtures may not be acceptable for fan support and may need to be replaced. If in doubt, consult a qualified electrician.

If your ceiling fan does not have an existing UL-listed mounting box, then install one using the following instructions:

- Disconnect the power by removing the fuses or turning off the circuit breakers.
- Secure the outlet box (1) (not included) directly to the building structure. Use appropriate fasteners and materials (not included). The outlet box and its bracing must be able to fully support the weight of the moving fan (at least 35 lbs.). Do not use a plastic outlet box.
- The illustrations to the right show three different ways to mount the outlet box (not included).
- To hang your fan where there is an existing fixture but no ceiling joist, you may need an installation hanger bar (3) (not included), as shown.



**NOTE:** You may need a longer downrod to maintain proper blade clearance when installing on a steep, sloped ceiling. The maximum angle allowable is 18°. If the canopy touches the downrod, remove the decorative canopy bottom cover and turn the canopy 180° before attaching the canopy to the mounting plate (2).



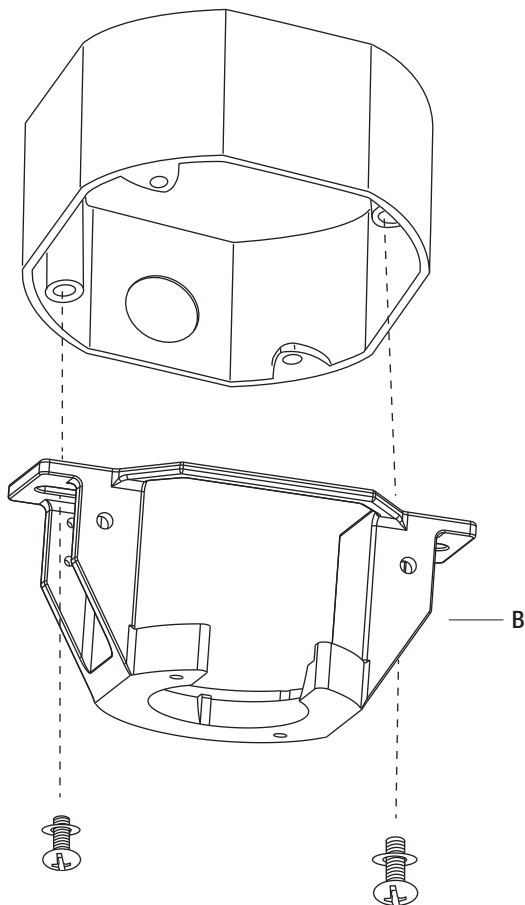
# Assembly – Hanging the Fan

## 1 Attaching the mounting bracket to the electrical box



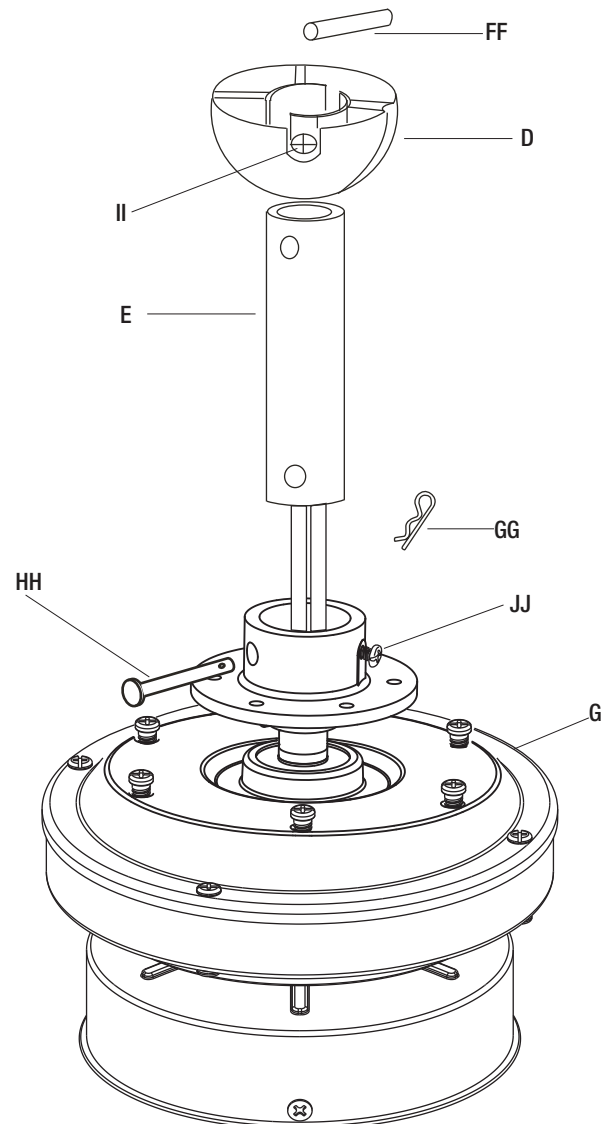
**WARNING:** To reduce the risk of fire, electric shock, or other personal injury, mount the fan only to an outlet box or supporting system marked acceptable for fan support and use the mounting screws provided with the outlet box.

- Secure the mounting bracket (B) to the ceiling outlet box with the screws and washers provided with your outlet box.



## 2 Attaching the downrod to the fan motor assembly

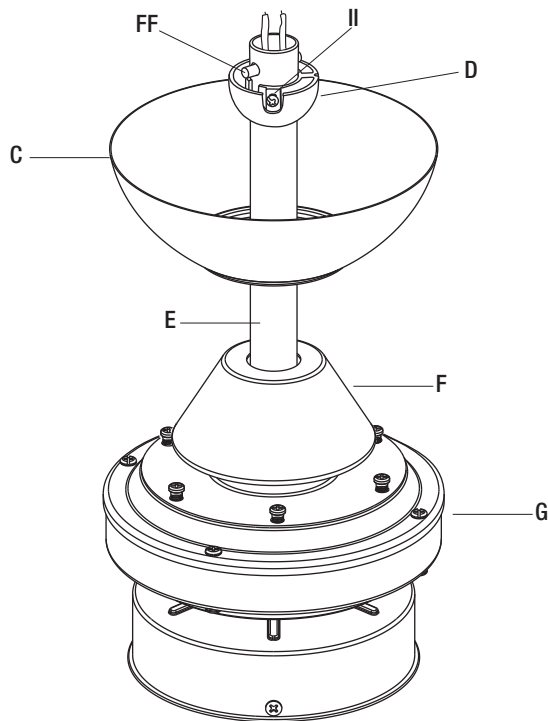
- Loosen the two fan motor assembly coupling set screws (JJ) from the fan motor assembly (G) coupling.
- Remove the hitch pin (GG) and lock pin (HH) from the downrod (E). Remove the hanger ball (D) from the downrod (E) by loosening the hanger ball set screw (II), and removing the cross pin (FF), then sliding the hanger ball (D) off of the downrod (E).
- Carefully feed the fan wires up through the downrod (E). Thread the downrod (E) into the fan motor assembly (G) coupling. Line up the holes and replace the lock pin (HH) and the hitch pin (GG). Tighten the fan motor assembly coupling set screws (JJ).



## Assembly – Hanging the Fan (continued)

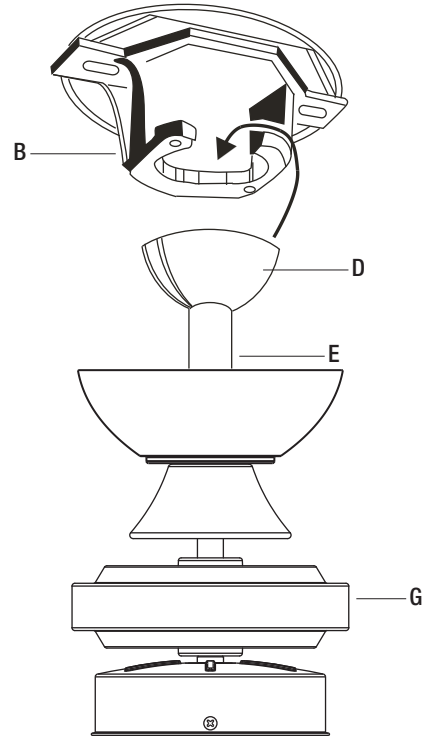
### 3 Attaching the coupling cover and canopy to the downrod

- Slip the coupling cover (F) and canopy (C) onto the downrod (E). Carefully reinstall the hanger ball (D) onto the downrod (E), and ensure that the cross pin (FF) is in the correct position, the hanger ball set screws (II) are tight, and the wires are not twisted.



### 4 Hanging the fan motor assembly from the mounting bracket

- Lift the fan motor assembly (G) into position, and place the hanger ball (D) into the mounting bracket (B). Rotate the fan motor assembly (G) until the check groove drops into the registration slot and seats firmly. The downrod (E) should not rotate if this is done correctly.





# Assembly — Hanging the Fan (continued)

## 5 Making the electrical connections



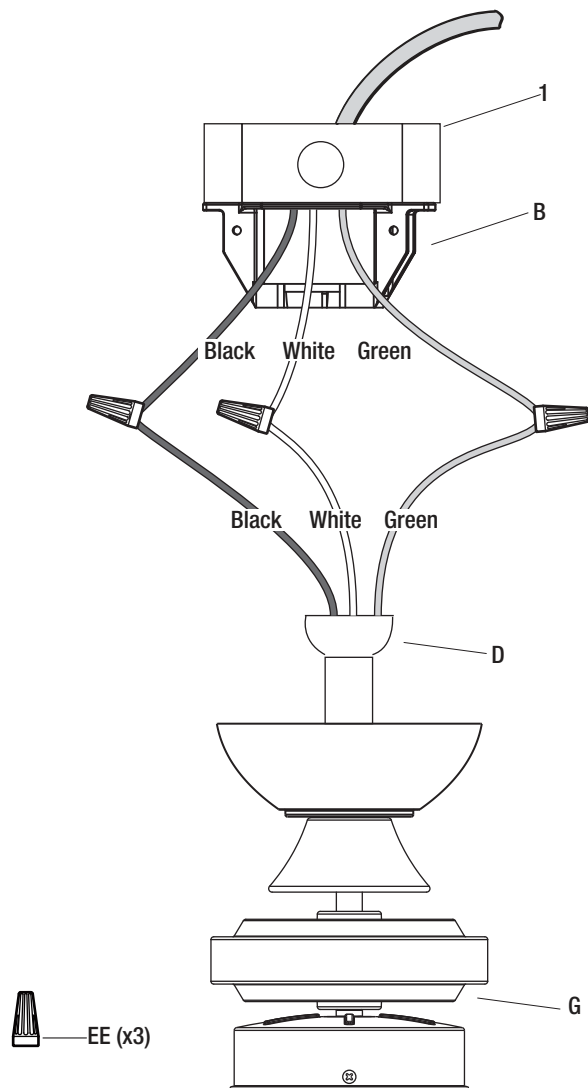
**WARNING:** To avoid possible electrical shock, ensure the electricity is turned off at the circuit breaker or main fuse box before wiring.



**WARNING:** Check to see that all connections are tight, including the ground, and that no bare wire is visible at the wire nuts, except for the ground wire.

Follow the steps below to connect the fan to your house supply wires. Secure the wire nuts (EE) supplied with your fan by wrapping the connections with electrical tape.

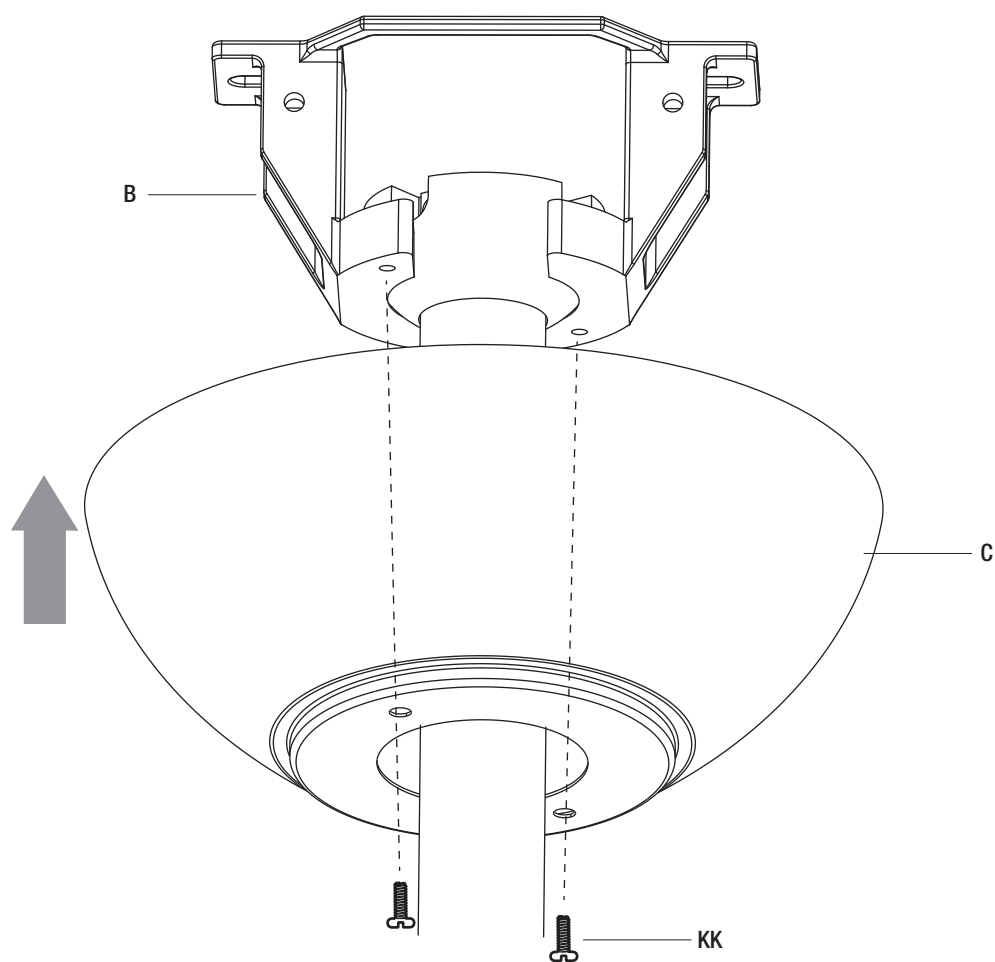
- Connect the black (hot) wire from the ceiling to the black wire from the fan motor assembly (G).
- Connect the white (neutral) wire from the ceiling to the white wire from the fan motor assembly (G).
- Connect the ground conductor of the 120-volt supply (this may be a bare wire or a wire with green colored insulation) to the green ground lead(s) of the fan. When using standard ceiling mounting, there are two green grounding leads: one from the mounting bracket (B) and one from the hanger ball (D).
- Secure the wire connections with plastic wire nuts (EE) provided with the electrical hardware.
- After connecting the wires, spread them apart so that the green and white wires are on one side of the outlet box (1) and the black and blue wires are on the other side. Carefully tuck the wire connections up into the outlet box (1).



## Assembly — Hanging the Fan (continued)

### 6 Securing the fan motor assembly to the mounting bracket

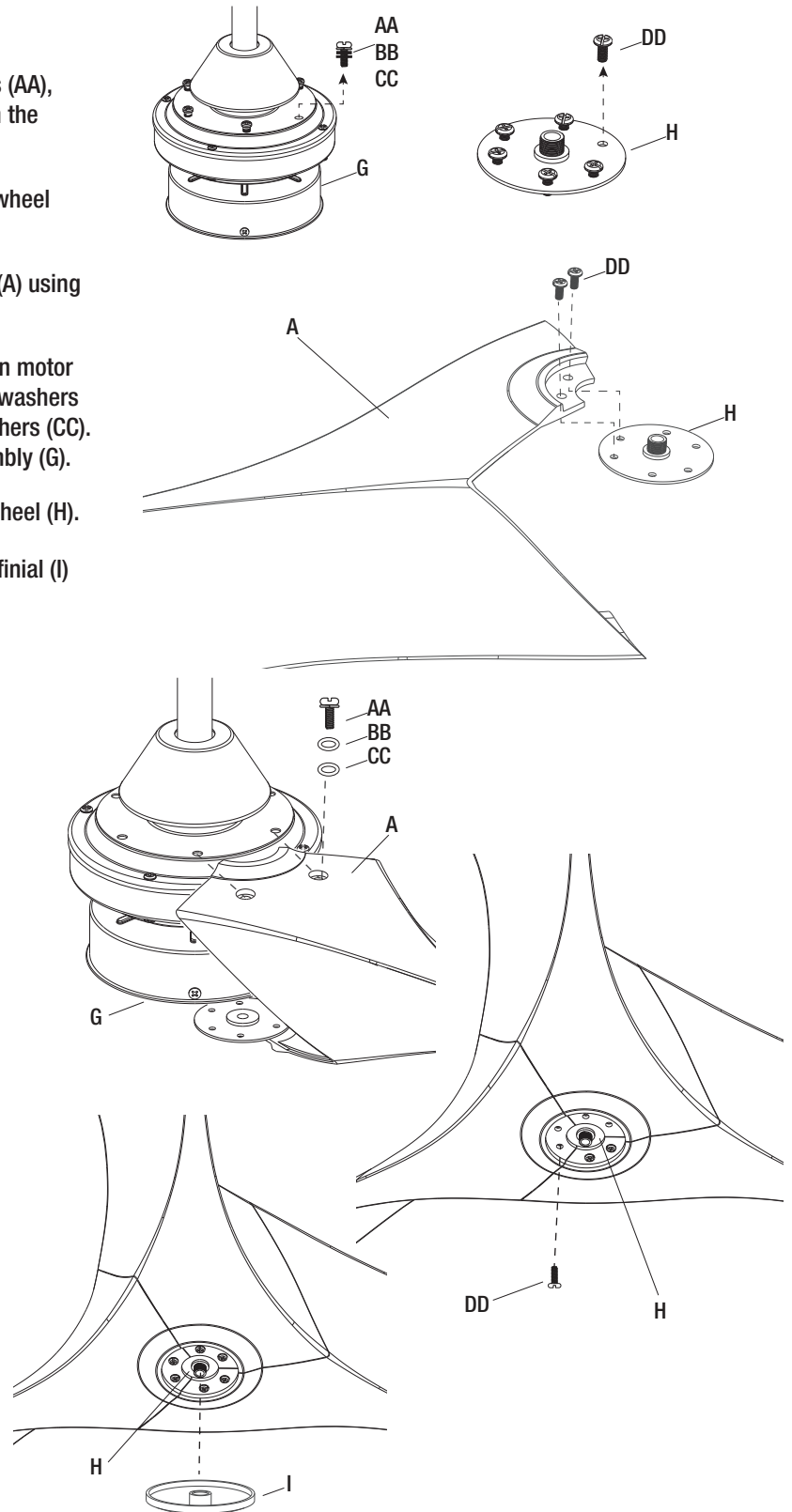
- Remove two mounting bracket screws (KK) from the mounting bracket (B).
- Attach the canopy (C) to the mounting bracket (B) by using the two mounting bracket screws (KK) previously removed.
- Tighten the mounting bracket screws (KK).



# Assembly – Attaching the Fan Blade

## 7 Fastening the blade assemblies to the fan motor assembly

- Remove the six blade screws with spring washers (AA), metal washers (BB) and rubber washers (CC) from the fan motor assembly (G).
- Remove the six flywheel screws (DD) from the flywheel (H).
- Attach the flywheel (H) to one of the three blades (A) using two flywheel screws (DD).
- Attach the blade (A) with the flywheel (H) to the fan motor assembly (G) using two blade screws with spring washers (AA), two metal washers (BB) and two rubber washers (CC). Attach the other blades (A) to the fan motor assembly (G).
- Reinstall the four flywheel screws (DD) to the flywheel (H).
- Screw the finial (I) to the flywheel (H). Ensure the finial (I) is tight.



# Operation

## REMOTE CONTROL OPERATING INSTRUCTIONS

Install a CR2032 (L) into the remote control (J). To prevent damage to the remote control, remove the battery if not used for long periods of time.



**WARNING:** Do not short-circuit, disassemble, heat up, connect improperly, or dispose of used batteries in fire. Do not recharge or mix batteries with used or other battery types. Immediately remove used batteries.



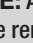
**WARNING:** Chemical Burn Hazard. Keep batteries away from children. This product contains a lithium button/coin cell battery. If a new or used lithium button/coin cell battery is swallowed or enters the body, it can cause severe internal burns and can lead to death in as little as 2 hours. Always completely secure the battery compartment. If the battery compartment does not close securely, stop using the product, remove the batteries, and keep it away from children. If you think batteries might have been swallowed or placed inside any part of the body, seek immediate medical attention.




**WARNING:** a) The cells shall be disposed of properly, including keeping them away from children; and b) Even used cells may cause injury.

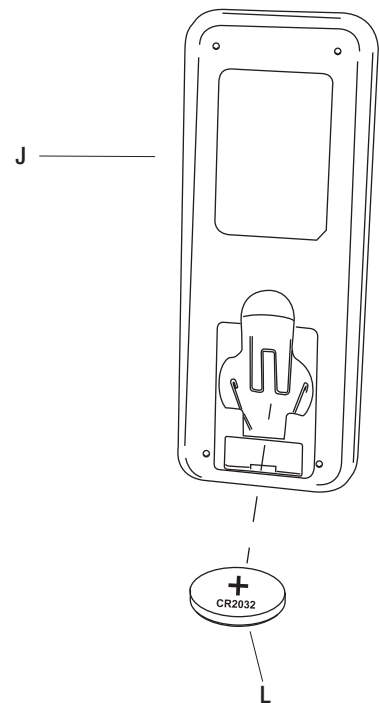
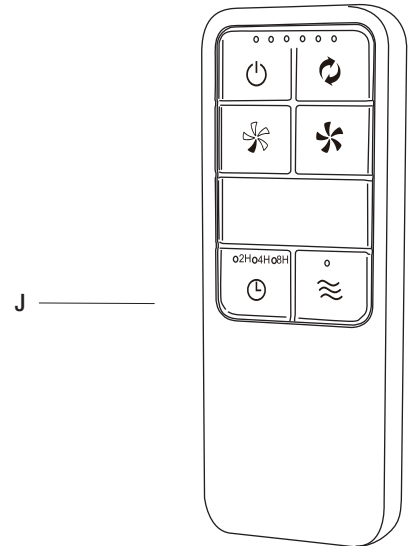
## LEARNING PROCESS






**NOTE:** After the AC power is on, do not press any other button on the remote control before pressing the  (FAN ON/OFF) button. Doing so will cause the procedure to fail.

Should you desire to use another remote control (J) unit with your new fan, install one using the steps below:

- Turn the main power source off to begin the learning process.
- Return the power to the unit.
- Within 30 seconds of turning the fan's AC power ON, press and hold the  button for 5 seconds to enter the learning function. Once the receiver has detected the set frequency, the down light of your fan, if applicable, will blink twice. There is no indication if your fan is not equipped with a light.




# Operation (continued)



1. Fan  button. - Press and release the  button to turn the fan off.
  - Press and hold the  button for 5 seconds to enter the learning function.

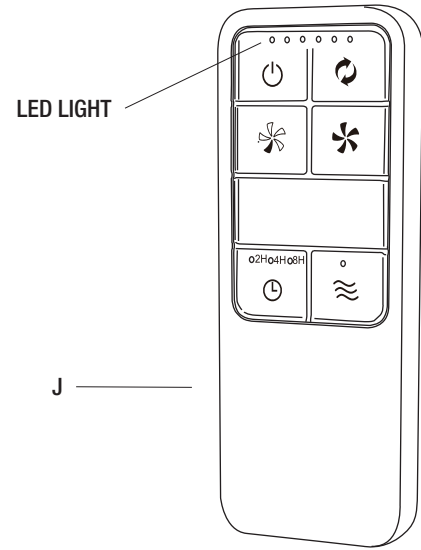
 **NOTE:** If you are currently using Comfort breeze mode, pressing the  button will cancel Comfort breeze mode and resume normal fan operation.

- Fan off. The fan memory function will store the current setting for the next time the fan is in use.

 **NOTE:** You must turn the fan on prior to using the timer function.

## 2. Speed functions

-  button, increases the fan speed
  - Pressing and releasing the + button one time will increase the speed of the fan.
-  button, decreases the fan speed
  - Pressing and releasing the - button one time will decrease the speed of the fan.



## 3. Comfort breeze

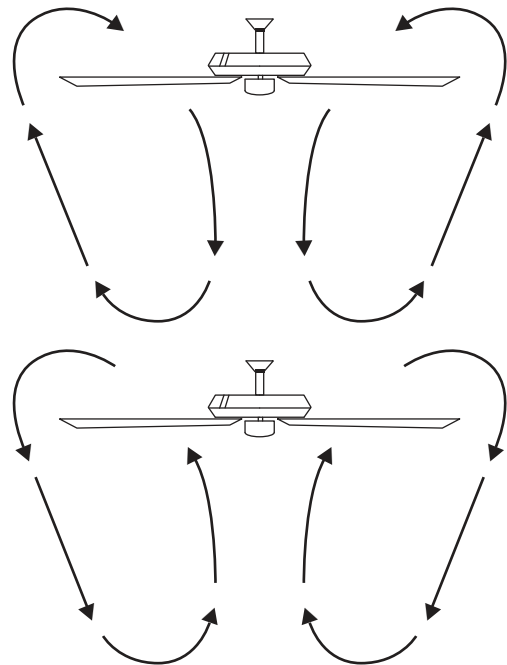
There are three Comfort breeze settings. Pressing the  button will activate the Comfort breeze mode. Alternates through speeds 1-6.

## 4. Timer (2H, 4H, 8H)

- Pressing the (2H/4H/8H) button will automatically turn fan off after 2, 4 or 8 hours.

## 5. Fan reverse button (Must be Pushed when the fan is in operation)

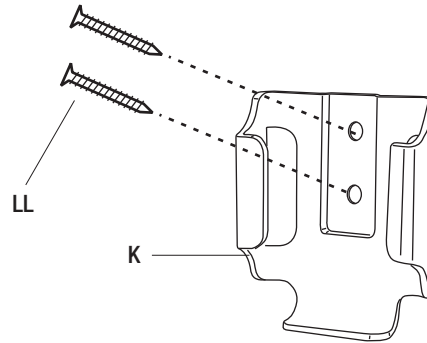
- (Counterclockwise Direction) A downward air flow creates a cooling effect. This allows you to set your air conditioner on a higher setting without affecting your comfort.
- (Clockwise Direction) An upward air flow moves warm air off the ceiling. This allows you to set your heating unit on a lower setting without affecting your comfort.



## Operation (continued)

### INSTALLING THE REMOTE CONTROL HOLDER

- Attach the remote control holder (K) with the two remote control holder mounting screws (LL).



## Care and Cleaning



**WARNING:** Make sure the power is off before cleaning your fan.

#### Do

- Check the support connections, brackets, and blade attachments twice a year. Ensure they are secure. Because of the fan's natural movement, some connections may become loose over time. It is not necessary to remove the fan from the ceiling.
- Clean your fan periodically. Use only a soft brush or lint-free cloth to avoid scratching the finish. The plating is sealed with a lacquer to minimize discoloration or tarnishing.
- (Optional) Apply a light coat of furniture polish to the wood blades.
- (Optional) Cover small scratches with a light application of shoe polish.

#### Do not

- Do not use water when cleaning. Water could damage the motor, or the wood, or possibly cause an electrical shock.
- Do not apply oil to your fan or motor. The motor has permanently-lubricated sealed ball bearings.

# Troubleshooting



**WARNING:** Ensure the power is off at the electrical panel box before you attempt any repairs. Refer to the section "Making the Electrical Connections" on page 9.

Problem	Solution
The fan will not start.	<input type="checkbox"/> Check main and branch circuit fuses or breakers.
	<input type="checkbox"/> Check line wire connections to the fan and switch wire connections in the switch housing.
	<input type="checkbox"/> Check to make sure the dip switches from the remote control and receiver are set to the same frequency.
The fan sounds noisy.	<input type="checkbox"/> Make sure all motor housing screws are snug.
	<input type="checkbox"/> Make sure the screws that attach the fan blade arm to the motor hub are tight.
	<input type="checkbox"/> Make sure wire nut connections are not rattling against each other or the interior wall of the switch housing.
	<input type="checkbox"/> Allow a 24-hour "breaking-in" period. Most noises associated with a new fan disappear during this time.
	<input type="checkbox"/> If using the ceiling light kit, make sure the screws securing the glassware are tight. Check that the light bulb is also secure.
	<input type="checkbox"/> Make sure there is a short distance from the ceiling to the canopy. It should not touch the ceiling.
	<input type="checkbox"/> Make sure your ceiling box is secure and rubber isolator pads are used between the mounting bracket and outlet box.
The remote control is not working.	<input type="checkbox"/> Do not connect the fan with wall mounted variable speed control(s).
	<input type="checkbox"/> Check to make sure the dip switches from the remote control and receiver are set to the same frequency.
The fan wobbles.	<input type="checkbox"/> Check that all blade and blade arm screws are secure.
	<input type="checkbox"/> Most fan wobble problems are caused when blade levels are unequal. Check this level by selecting a point on the ceiling above the tip of one of the blades. Measure from a point on the center of each blade to the point on the ceiling. Rotate the fan until the next blade is positioned for measurement. Repeat for each blade. Measurements deviation should be within 1/8 in. Run the fan for 10 minutes.
	<input type="checkbox"/> Use the enclosed blade balancing kit if the blade wobble is still noticeable.

# FCC Statement

---

This equipment has been tested and found to comply with the limits for a Class B digital device, pursuant to Part 15 of the FCC Rules. These limits are designed to provide reasonable protection against harmful interference in a residential installation. This equipment generates uses and can radiate radio frequency energy and, if not installed and used in accordance with the instructions, may cause harmful interference to radio communications. However, there is no guarantee that interference will not occur in a particular installation. If this equipment does cause harmful interference to radio or television reception, which can be determined by turning the equipment off and on, the user is encouraged to try to correct the interference by one or more of the following measures:

- Reorient or relocate the receiving antenna.
- Increase the separation between the equipment and receiver.
- Connect the equipment into an outlet on a circuit different from that to which the receiver is connected.
- Consult the dealer or an experienced radio/TV technician for help.

## CAUTION:

Any changes or modifications not expressly approved by the grantee of this device could void the user's authority to operate the equipment.

This device complies with Part 15 of the FCC Rules. Operation is subject to the following two conditions:

- (1) This device may not cause harmful interference, and
- (2) this device must accept any interference received, including interference that may cause undesired operation.

The following responsible party designated in FCC §2.909 is responsible for this declaration:

Model Number: 34776-HBU, 34776-HBUM, 34776-HBUG

Company Name: Eurofase Inc.

Company Address: 60 Industrial Parkway, Unit 802, Cheektowaga, NY 14227-2713

Full Name: Kent Yin Title: Product Development Manager

Telephone Number: 905-695-2055 Ext. 259 Fax: 905-695-2056





# **HOME DECORATORS COLLECTION**

**Questions, problems, missing parts? Before returning to the store,  
call Home Decorators Collection Customer Service  
8 a.m. - 7 p.m., EST, Monday-Friday,  
9 a.m. - 6 p.m., EST, Saturday**

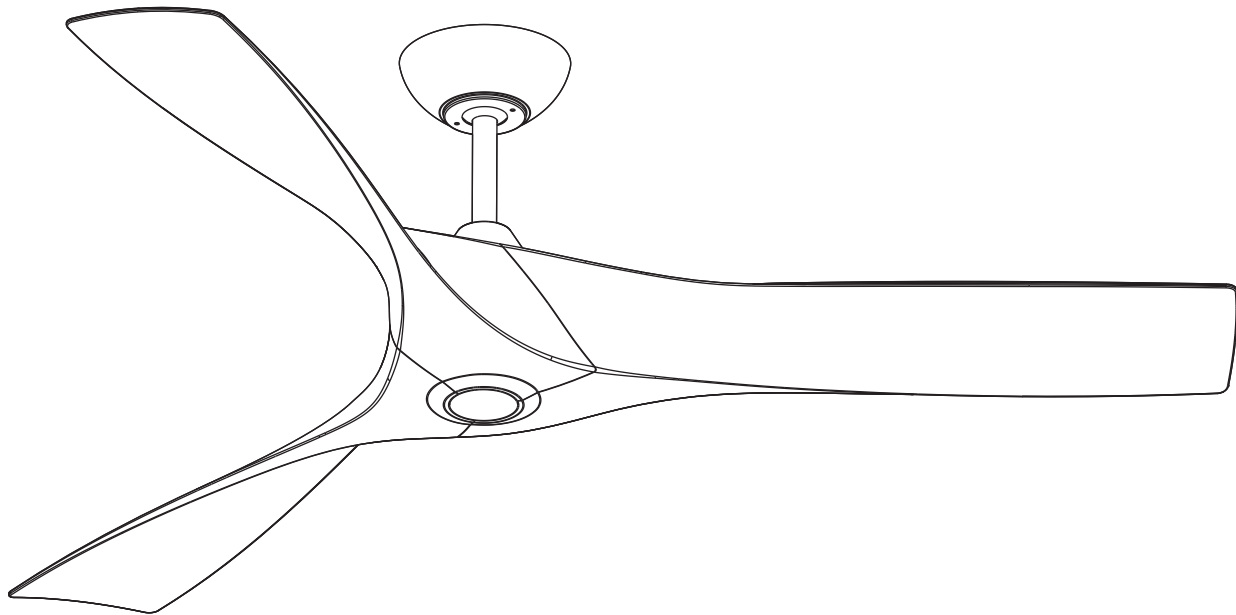
**1-800-986 3460**

**[HOMEDEPOT.COM/HOMEDECORATORS](http://HOMEDEPOT.COM/HOMEDECORATORS)**

**Retain this manual for future use.**

# GUÍA DE USO Y CUIDADO

## VENTILADOR DE TECHO, 52 PLG WESLEY



¿Preguntas, problemas, partes o piezas faltantes? Antes de devolver a la tienda, llamar al Servicio al Cliente de Home Decorators Collection, de lunes a viernes entre 8:00 a.m. y 7:00 p.m. (hora de Este), y los sábados de 9:00 a.m. a 6:00 p.m. (hora del Este).

1-800-986 3460

[HOMEDEPOT.COM/HOMEDECORATORS](http://HOMEDEPOT.COM/HOMEDECORATORS)

### **GRACIAS POR TU COMPRA**

*Apreciamos la confianza que has depositado en Home Decorators Collection al comprar este ventilador de techo. Nos esforzamos para continuamente crear productos de calidad diseñados para mejorar tu hogar. Visítanos por Internet para ver nuestra línea completa de productos disponibles para las necesidades de mejoras de tu hogar. ¡Gracias por elegir Home Decorators Collection!*

# Tabla de contenido

Tabla de contenido .....	2	Ensamblaje .....	7
Información de seguridad .....	2	Funcionamiento .....	12
Garantía .....	3	Mantenimiento y limpieza .....	14
Preinstalación .....	3	Solución de problemas .....	15
Instalación .....	6	Declaración de FCC .....	16

## Información de seguridad

### LEE Y GUARDA ESTAS INSTRUCCIONES.

1. Para reducir el riesgo de descarga eléctrica, asegure cortar la electricidad en el cortacircuitos o en la caja de fusibles antes de comenzar.
2. Todo el cableado tiene que cumplir con el Código Nacional de Electricidad ANSI/NFPA 70 y los códigos locales de electricidad. La instalación eléctrica debe hacerse por un electricista calificado con licencia.
3. La caja eléctrica y la estructura de soporte tienen que montarse de forma segura para poder sostener con confianza y como mínimo 35 lb (15.9 kg). Usar ya solo cajas eléctricas aprobadas por UL y marcadas como "apropiadas para sostener ventiladores de 35 lb (15.9 kg) o menos."
4. No colocar objetos en la trayectoria de las aspas.
5. No usar agua ni detergentes para limpiar el ventilador o las aspas. Para limpiar, casi siempre será adecuado un paño seco o ligeramente humedecido con que quitar el polvo.
6. Después de concluir las conexiones eléctricas, debes voltear los conductores empalmados hacia arriba y empujarlos con cuidado dentro de la caja eléctrica. Los cables deben quedar separados, con el cable y el conductor a tierra del equipo a uno de los lados de la caja eléctrica, y el conductor sin conexión a tierra al lado opuesto.
7. Antes de instalar, todos los tornillos de fijación tienen que comprobarse y reajustarse donde sea necesario.



**ADVERTENCIA:** Para disminuir el riesgo de incendio o descarga eléctrica, no utilices este ventilador con ningún dispositivo de estado sólido para el control de velocidad del ventilador. Hacerlo dañará permanentemente el circuito electrónico.



**ADVERTENCIA:** Para reducir el riesgo de lesiones personales, no doblar los soportes de las aspas al instalarlos ni al compensar estas o limpiar el ventilador. No insertar objetos extraños entre las aspas del ventilador en rotación.



**ADVERTENCIA:** Para reducir el riesgo de incendio, descarga eléctrica o lesiones, instala sólo en una caja eléctrica clasificada como "apropiada para sostener ventiladores de 35 lb (15.9 kg) o menos", y usa sólo los tornillos incluidos con la caja eléctrica.



**ADVERTENCIA:** Para evitar posible descarga eléctrica, desconecta la electricidad en la caja principal de fusibles antes de cablear.



**PRECAUCIÓN:** Para reducir el riesgo de lesiones personales hay que usar ya sólo los tornillos incluidos con la caja eléctrica.



**PRECAUCIÓN:** Para evitar lesiones personales o daños al ventilador y otros artículos, hay que tener cuidado al limpiarlo y al trabajar cerca de él.



**PRECAUCIÓN:** El ventilador tiene que montarse con separación mínima de 7 pies (2.1 m) entre sus bordes de salida y el piso.



**PRECAUCIÓN:** Los cambios o modificaciones sin previa aprobación expresa por la parte responsable de su cumplimiento podrían anular la autorización al usuario para operar el equipo.



**ADVERTENCIA:** A fin de reducir el riesgo de descargas eléctricas, este ventilador tiene que instalarse con un interruptor de pared provisto de aislante.

# GARANTÍA

Garantizamos de por vida, a partir de la fecha de adquisición por el comprador original, que el motor del ventilador no presenta defectos de fabricación ni de materiales al momento del envío desde la fábrica. También garantizamos por dos años, a partir de la fecha de adquisición por el comprador original, que todas las demás piezas del ventilador, salvo las aspas de vidrio o acrílico, no presentarán ningún defecto de fabricación ni de material desde el momento de salida de la fábrica. Si el producto es devuelto, aceptamos reparar sus defectos sin cargo alguno o, a nuestra entera discreción, reemplazarlo con modelo similar o superior. Para obtener servicio de garantía tiene que presentarse copia del recibo como comprobante de compra. Todos los costos de retiro y reinstalación del producto son responsabilidad del cliente. Los daños a cualquier pieza o parte por accidente, instalación o uso inadecuado, o por montar cualquier accesorio, no están cubiertos por esta garantía. Puesto que las condiciones climáticas pueden variar, esta garantía no cubre ningún cambio del acabado en latón, como óxido, perforación, corrosión, manchas o descascaramiento. Los acabados en latón de este tipo proveen la vida útil más larga al proteger contra las condiciones climáticas cambiantes. Cierta "oscilación" es normal y no debe considerarse un defecto. Cualquier servicio prestado por personal no autorizado invalidará la garantía. No hay ninguna otra garantía expresa. Por este medio rechazamos todas y cada una de las garantías, incluyendo, pero sin limitarse a, aquellas de comercialización e idoneidad para determinado fin, en el alcance permitido por la ley. La duración de cualquier garantía implícita que no pueda rechazarse se limita al plazo especificado en la garantía explícita. Algunos estados no permiten limitar la duración de la garantía; por consiguiente, la limitación anterior pudiera no aplicarse a su caso. El minorista no será responsable por daños directos, indirectos ni especiales que resulten o deriven del uso o funcionamiento del producto, excepto en los casos que pudieran estar estipulados de otro modo por ley. Algunos estados no permiten excluir ni limitar daños directos o indirectos, así que la limitación o exclusión anterior pudiera no aplicarse a su caso. Esta garantía concede derechos legales específicos y es posible que usted tenga también otros derechos, que varían de estado a estado. Esta garantía sustituye todas las precedentes. Los costos de envío en cualquier devolución de producto como parte de una reclamación tienen que ser pagados por el cliente.

Comuníquese con el Equipo de Servicio al Cliente (1-800-986 3460) o visite [www.HOMEDEPOT.COM/HOMEDECORATORS](http://www.HOMEDEPOT.COM/HOMEDECORATORS)

# Preinstalación

## ESPECIFICACIONES

Tamaño del ventilador	Velocidad	Voltios	Amperes	Vatios	RPM	PIES <sup>3</sup> X MIN	N.W.	G.W.	C.F.
52"(1,32M)	BAJA	120	0.068	2.85	60	1984	4.45 kgs (9.79 lbs)	5.80 kgs (12.78 lbs)	2.68 ft.
	MEDIA		0.265	15.80	135	4622			
	ALTA		0.500	33.00	180	6012			



**NOTA:** Estas medidas son aproximadas. No incluyen el amperaje ni el vataje consumido por el kit de luces.

## HERRAMIENTAS NECESARIAS



Destornillador  
Phillips



Destornillador  
plano



Escalerilla



Pelador de  
cable



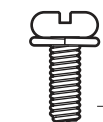
Cinta  
adhesiva  
de  
electricista

# Preinstalación (continuada)

## SE INCLUYEN HERRAJES



NOTA: Los herrajes se muestran en tamaño real.



AA



EE



II



BB



FF



JJ



CC



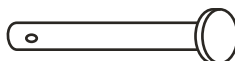
GG



KK



DD



HH

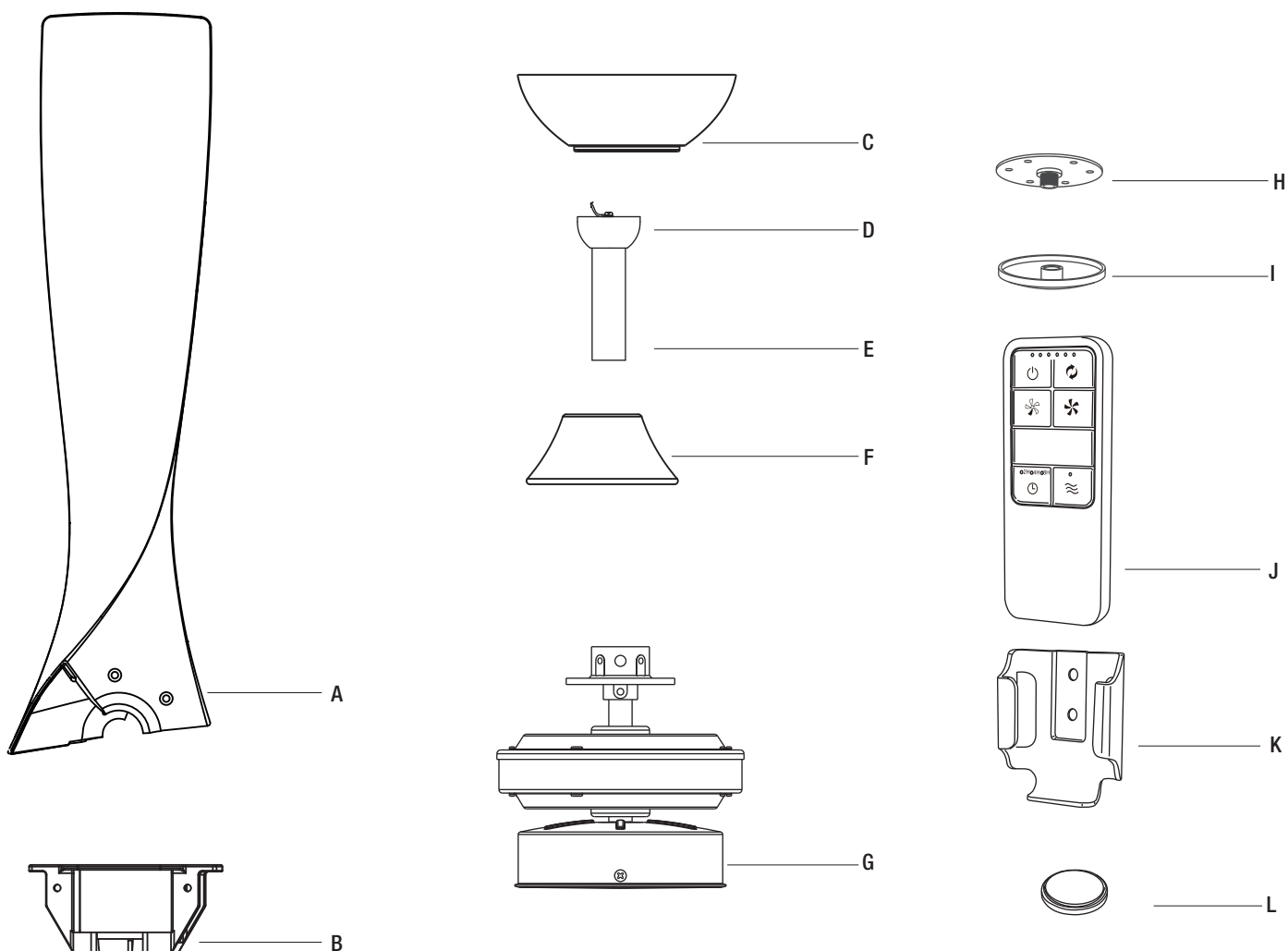


LL

Parte	Descripción	Cantidad
AA	Tornillo de aspa con arandela de resorte (preensamblado)	6
BB	Arandela metálica (preensamblada)	6
CC	Arandela de goma (preensamblada)	6
DD	Tornillo del volante (preensamblado)	6
EE	Tuercas para cable	3
FF	Pasador transversal (no está a escala - preensamblado)	1
GG	Pasador de enganche (preensamblado)	1
HH	Pasador de seguridad (no está a escala - preensamblado)	1
II	Tornillo de fijación de la esfera de soporte (preensamblado)	1
JJ	Tornillo de fijación del acoplamiento del conjunto motor-ventilador (preensamblado)	2
KK	Tornillo del soporte de montaje (preensamblado)	2
LL	Tornillos de montaje del soporte del control remoto	2

# Preinstalación (continuada)

## CONTENIDO DEL PAQUETE



Parte	Descripción	Cantidad
A	Aspa	3
B	Soporte de montaje	1
C	Cubierta	1
D	Esfera de soporte (preensamblada)	1
E	Tubo bajante (preensamblado)	1
F	Cubierta del acoplamiento	1

Parte	Descripción	Cantidad
G	Ensamblaje del motor-ventilador	1
H	Volante	1
I	Remate	1
J	Control remoto	1
K	Soporte del control remoto	1
L	CR2032	1

# Instalación

## OPCIONES DE MONTAJE



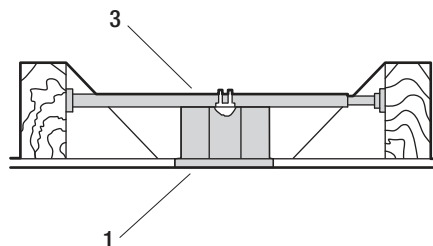
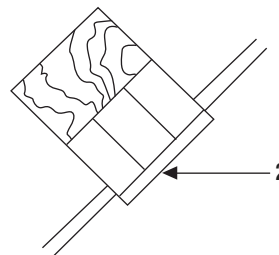
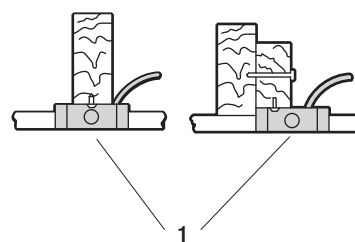
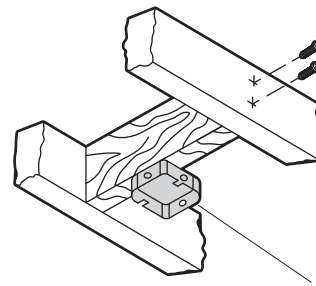
**ADVERTENCIA:** Para reducir el riesgo de incendio, descarga eléctrica o lesiones personales, montar el ventilador en una caja eléctrica clasificada como apropiada para sostenerlo. Una caja eléctrica que suele utilizarse para soporte de lámparas pudiera no servir como tal para el ventilador y tal vez deba reemplazarse. En caso de duda, consultar a un electricista calificado.

Si tu ventilador de techo no tiene una caja de montaje aprobada por UL, instala otra siguiendo las instrucciones a continuación:

- Desconectar la energía retirando los fusibles o apagando los cortacircuitos.
- Asegura la caja eléctrica (1) (no incluida) directamente a la estructura de la edificación. Usa sujetadores y materiales apropiados (no incluidos). La caja eléctrica y su soporte tienen que ser capaces de sostener completamente el peso en movimiento del ventilador (al menos 35 lb = 15.9 kg). No usar una caja eléctrica de plástico.
- Las ilustraciones a la derecha muestran tres formas distintas de montar la caja eléctrica (no incluida).
- Para colgar el ventilador donde hay una lámpara, pero ninguna viga de techo, pudiera necesitarse una barra colgante (3) (no incluida) tal como se muestra.



**NOTA:** Al instalar el ventilador en un techo inclinado, tal vez necesites un tubo bajante más largo para mantener la altura mínima adecuada de las aspas. Ángulo máximo permitido: 18°. Si la cubierta toca el tubo bajante, retira la tapa inferior decorativa de la cubierta y gira 180° esta última en 180° antes de fijarla a la placa de montaje (2).





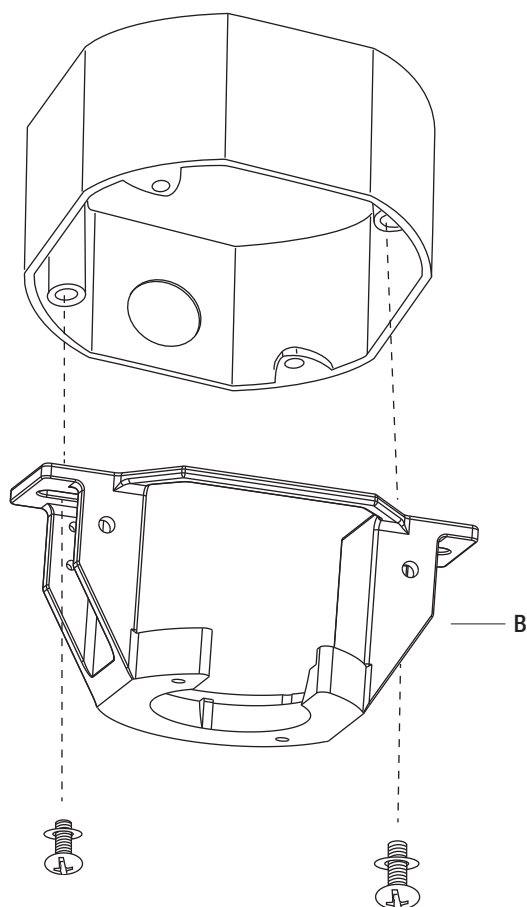
# Ensamblaje – Cómo colgar el ventilador

## 1 Cómo instalar el soporte de montaje en la caja eléctrica



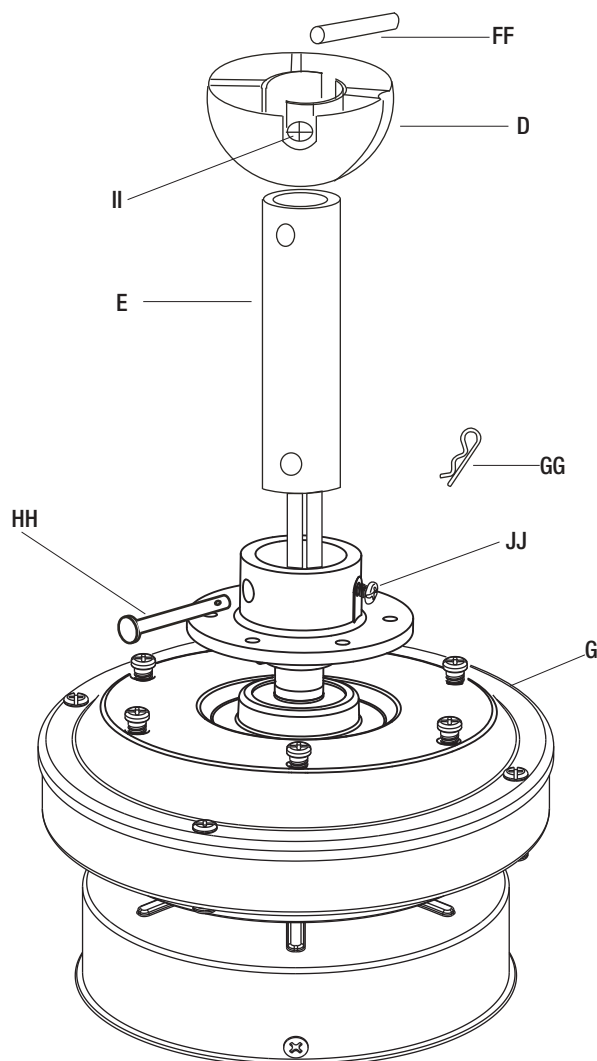
**ADVERTENCIA:** Para reducir el riesgo de incendio, descarga eléctrica o lesiones, montar el ventilador ya sólo en una caja eléctrica o sistema de soporte con la aprobación correspondiente y usa los tornillos de montaje que vienen con la caja eléctrica.

- Asegura el soporte de montaje (B) a la caja eléctrica en el cielo raso con los tornillos y arandelas suministrados con aquella.



## 2 Cómo fijar el tubo bajante al conjunto motor-ventilador.

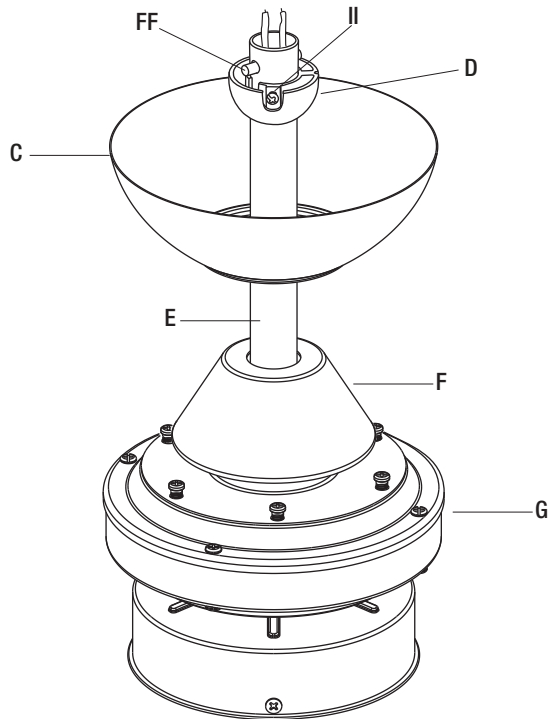
- Aflojar los dos tornillos de fijación (JJ) del acoplamiento del conjunto motor-ventilador (G).
- Retirar los pasadores de enganche (GG) y seguridad (HH) del tubo bajante (E). Retirar del tubo bajante (E) la esfera de soporte (D) aflojando el tornillo de fijación (II) de la bola y quitando el pasador transversal (FF) para seguidamente deslizar la bola (D) fuera del tubo bajante (E).
- Pasar con cuidado hacia arriba los cables del ventilador, a través del tubo bajante (E). Enroscar el tubo bajante (E) en el acoplamiento del conjunto motor-ventilador (G). Alinea los orificios y reemplaza los pasadores de seguridad (HH) y enganche (GG). Apretar los tornillos de fijación (JJ) del acoplamiento del conjunto motor-ventilador.



## Ensamblaje – Cómo colgar el ventilador (continuada)

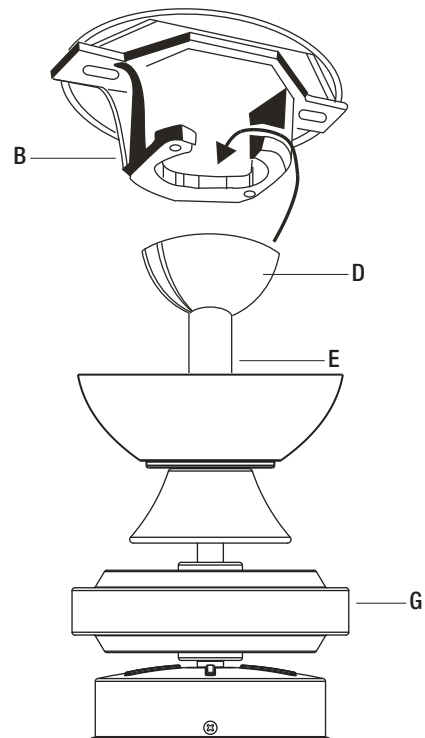
### 3 Cómo fijar la cubierta del acoplamiento y la cubierta al tubo bajante.

- Desliza la cubierta del acoplamiento (F) y la cubierta (C) dentro del tubo bajante (E). Volver a instalar con cuidado la esfera de soporte (D) en el tubo bajante (E) y asegurar que el pasador transversal (FF) quede en posición correcta, los tornillos de fijación (II) de la esfera de soporte, bien apretados, y que los cables no estén torcidos.



### 4 Cómo colgar el conjunto motor-ventilador en el soporte de montaje

- Levantar el conjunto motor-ventilador (G) hasta su ubicación y colocar la esfera de soporte (D) en el soporte de montaje (B). Girar el conjunto motor-ventilador (G) hasta que comprobar que la muesca cayó dentro de la ranura de registración y quedó firmemente asentada. El tubo bajante (E) no debe girar si no se procede correctamente.



# Ensamblaje — Cómo colgar el ventilador (continuada)

## 5 Cómo hacer las conexiones eléctricas



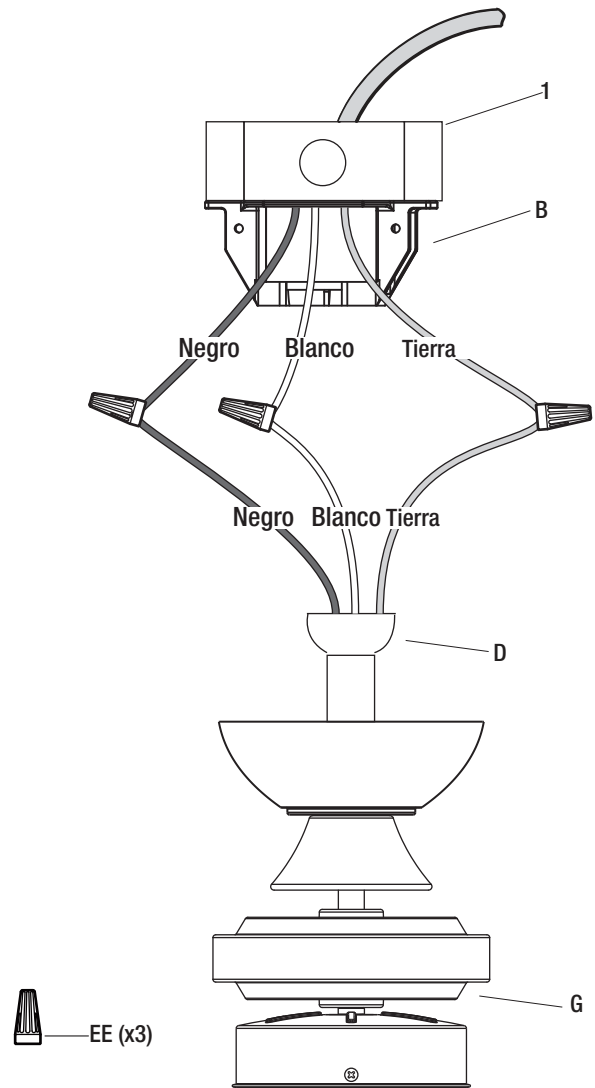
**ADVERTENCIA:** Para evitar posible descarga eléctrica, asegure que no circule electricidad en el cortacircuitos ni en la caja principal de fusibles antes de cablear.



**ADVERTENCIA:** Verifica que todas las conexiones estén bien ajustadas, incluso la conexión a tierra, y que no haya ningún cable pelado visible en las tuercas para cable (excepto el cable a tierra).

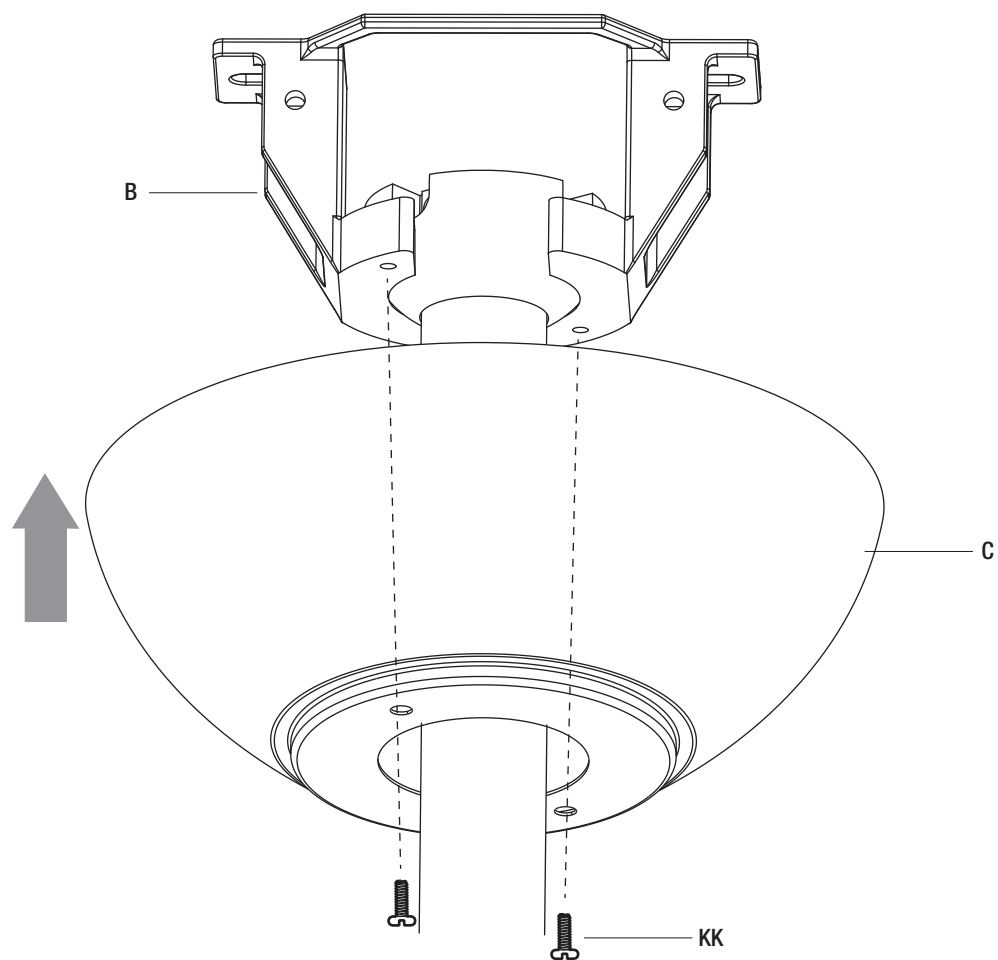
Sigue los siguientes pasos para conectar tu ventilador a los cables de alimentación domésticos. Asegura las tuercas de cable (EE) incluidas con tu ventilador envolviendo las conexiones con cinta adhesiva de electricista.

- Conecta el cable negro (activo) del cielo raso al cable negro del conjunto motor-ventilador (G).
- Conecta el cable blanco (neutral) del cielo raso al cable blanco del conjunto motor-ventilador (G).
- Conecta el conductor a tierra del cable de 120 V suministrado (puede ser un cable pelado o con aislamiento de color verde al (los) cable(s) terminal(es) a tierra verde(s) del ventilador. Para montaje estándar en cielo raso hay dos cables terminales verdes de conexión a tierra: uno desde el soporte de montaje (B) y otro desde el tubo esfera/bola (D).
- Asegura las conexiones de cable con las tuercas plásticas (EE) suministradas junto con los herrajes eléctricos.
- Después de conectar los cables, sepáralos de manera que verde y blanco queden a un lado de la caja eléctrica (1) y negro y azul, del otro lado. Con cuidado, mete todas las conexiones eléctricas dentro de la caja (1).



### 6 Cómo asegurar el conjunto motor-ventilador en el soporte de montaje

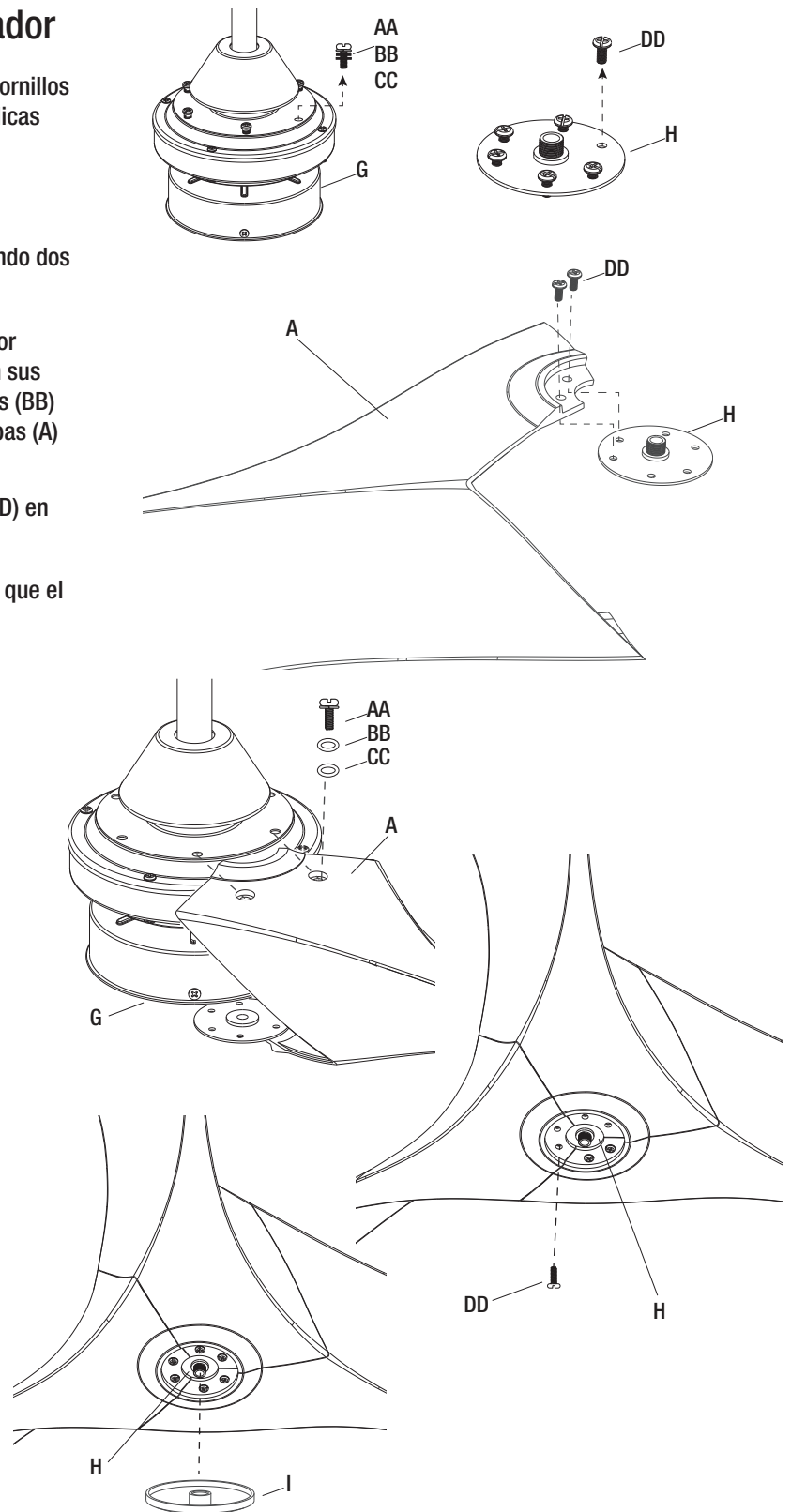
- Quitar del soporte de montaje (B) sus dos tornillos (KK).
- Fijar la cubierta (C) al soporte de montaje (B) usando sus dos tornillos (KK) previamente retirados.
- Apretar bien los tornillos (KK) del soporte de montaje.



# Ensamblaje – Adjuntando la Aspa del Ventilador

## 7 Cómo sujetar los conjuntos de las aspas al conjunto motor-ventilador

- Retirar del conjunto motor-ventilador (G) los seis tornillos de aspas con sus arandelas de resorte (AA), metálicas (BB) y de goma (CC).
- Quitar del volante (H) sus seis tornillos (DD).
- Fijar el volante (H) a una de las tres aspas (A) usando dos tornillos de aquel (DD).
- Fijar el aspa (A) con el volante (H) al conjunto motor-ventilador (AA) usando dos tornillos de aspas con sus arandelas de resorte (AA), dos arandelas metálicas (BB) y dos arandelas de goma (CC). Fijar las demás aspas (A) al conjunto motor-ventilador (G).
- Volver a insertar los cuatro tornillos del volante (DD) en este (H).
- Enroscar el remate (I) en el volante (H). Garantizar que el remate (I) quede bien ajustado.



# Funcionamiento

## INSTRUCCIONES PARA USAR EL CONTROL REMOTO

Instalar una batería CR2032 (L) en el control remoto (J). Para prevenir daños al control remoto, revisar la batería si este no va a usarse por largo tiempo.



**ADVERTENCIA:** No conectar las baterías en corto circuito ni de otra manera inapropiada, ni desarmarlas, calentarlas ni arrojarlas al fuego para desecharlas después de usarlas. No recargar ni mezclar con baterías usadas o de otro tipo. Retirar inmediatamente las baterías usadas.



**ADVERTENCIA:** Peligro de quemadura por productos químicos. Mantener las baterías alejadas de los niños. Este producto contiene una batería de litio tipo celda botón/moneda. Si una batería nueva o usada de este tipo se ingiere o penetra de otro modo en el cuerpo, puede causar quemaduras internas graves y llevar a la muerte en apenas 2 horas. Asegurar siempre el compartimiento de baterías por completo. Si el compartimiento de baterías no cierra con seguridad, deja de usar el producto, saca las baterías y mantenlas alejadas de los niños. En caso de sospecha de ingestión o penetración de las baterías en cualquier parte del cuerpo hay que buscar de inmediato atención médica.




**ADVERTENCIA:** a) las células se eliminará correctamente, incluyendo mantener alejados de los niños; y b) incluso utilizado células pueden causar lesiones.

## PROCESO DE MEMORIZACIÓN

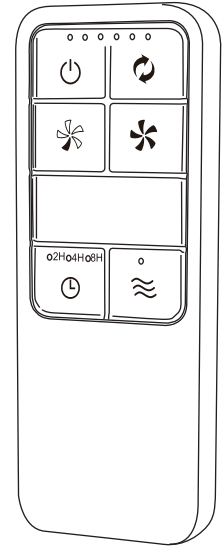


**NOTA:** Después de suministrarse la corriente alterna, no presiones ningún otro botón del control remoto antes de presionar el botón de encendido/apagado del ventilador (El apagado del ventilador). No proceder así provocará fallas en el procedimiento.

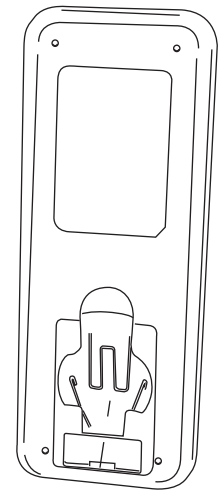
Si deseas usar otra unidad de control remoto (J) con tu nuevo ventilador, instálala siguiendo los pasos a continuación:

- Apaga la fuente principal de electricidad para comenzar el proceso de memorización.
- Vuelve a conectar la electricidad a la unidad.
- Dentro de los 30 segundos siguientes al suministro de corriente alterna del ventilador, mantén presionado  el botón por 5 segundos para ingresar la función de memorización. Una vez que el receptor haya detectado la frecuencia establecida, la luz del ventilador parpadeará dos veces, si corresponde. No hay ninguna indicación si tu ventilador no está equipado con una luz.

J —————




J —————



L

# Funcionamiento (continuada)

1.  Botón del ventilador. - Presiona y suelta el  botón para encender o apagar el ventilador.
  - Presiona y mantén presionado el  botón por 5 segundos para ingresar a la función de memorización.



**NOTA:** Si estás usando el modo Comfort Breeze, al presionar el  botón será cancelado y se reiniciará el funcionamiento normal del ventilador.

- Ventilador apagado. La función de memoria del ventilador guardará la configuración actual para el próximo uso.



**NOTA:** Tienes que encender el ventilador antes de usar la función del temporizador.

## 2. Botón de funciones

 de velocidad. Incrementa la velocidad del ventilador

- Presionado y soltando el botón + una vez. Así la velocidad del ventilador aumentará.


 de velocidad. Disminuirá la velocidad del ventilador

- Al presionar y soltar el botón - una vez, la velocidad del ventilador disminuirá.

1ra velocidad   2da velocidad   3ra velocidad   4ta velocidad   5ta velocidad   6ta velocidad



## 3. Comfort breeze

Hay tres configuraciones de Comfort breeze. Presionar el  botón correspondiente activará el modo Comfort breeze. Alternar a través de las velocidades de 1ra a 6ta.

## 4. Temporizador (2H, 4H, 8H)

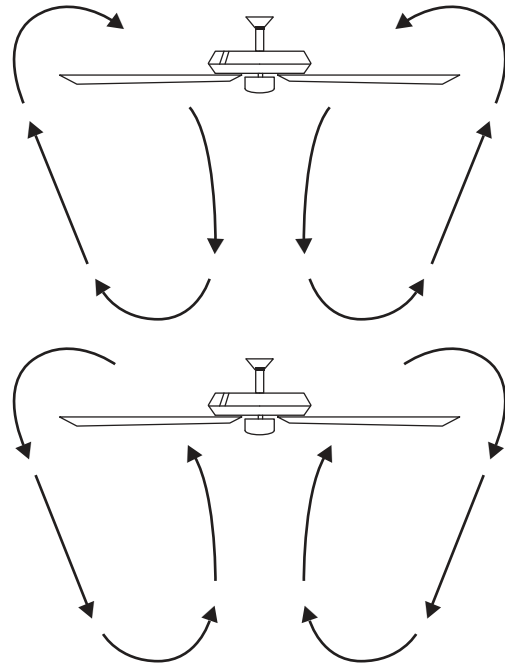
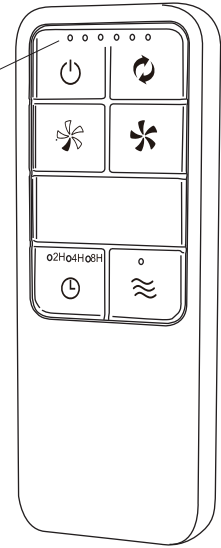
- Al presionar el botón (2H/4H/8H) el ventilador se apagará automáticamente luego de 2, 4 u 8 horas.

## 5. Botón de reversa (Tiene que presionarse cuando el ventilador esté funcionando)

- (En sentido contrario a las manecillas del reloj) Un flujo de aire hacia abajo surte efecto refrescante. Esto permite fijar tu aire acondicionado en configuración más alta sin afectar tu comodidad.
- (En el sentido de las manecillas del reloj) Un flujo de aire hacia arriba desplaza el aire cálido lejos del techo. Esto permite fijar la unidad de calefacción en configuración más baja sin afectar tu comodidad.

Luz LED.

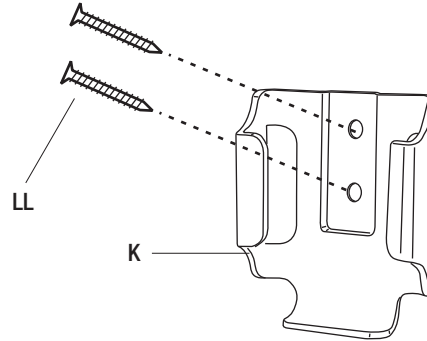
J



# Funcionamiento (continuada)

## CÓMO INSTALAR EL SOPORTE DEL CONTROL REMOTO

- Fijar el soporte del control remoto (K) con sus dos tornillos de montaje (LL).



## Mantenimiento y limpieza



**ADVERTENCIA:** Asegurese de que el poder está apagado antes de la limpieza de tu fan.

### QUÉ HACER

- Revisa dos veces al año las conexiones de soporte, los soportes y los accesorios de las aspas. Garantizar que estén bien ajustadas. Debido al movimiento natural del ventilador, algunas conexiones pueden aflojarse al paso del tiempo. No es necesario desmontar el ventilador del cielo raso.
- Limpia tu ventilador con frecuencia. Usar ya sólo un cepillo suave o un paño sin pelusas para evitar arañar el acabado. El revestimiento está sellado con laca para minimizar la decoloración u opacidad.
- (Opcional) Aplica una fina capa de pulimento para muebles a la madera de las aspas.
- (Opcional) Cubre los arañazos pequeños con una leve aplicación de lustrador para calzado.

### NO

- No usar agua al limpiar. El agua puede dañar el motor o la madera, o causar descargas eléctricas.
- No aplicar lubricante al ventilador ni al motor. El motor tiene cojinetes de esfera sellados y permanentemente lubricados.



# Solución de problemas



**ADVERTENCIA:** Asegurar que la electricidad esté cortada en la caja del panel de electricidad antes de intentar hacer reparaciones. Consultar en la página 9 la sección “Cómo Hacer las Conexiones Eléctricas”.

Problema	Solución
El ventilador no enciende.	<input type="checkbox"/> Verifica fusibles o disyuntores principales y secundarios.
	<input type="checkbox"/> Verifica las conexiones de cables en línea al ventilador y de cables del interruptor en la caja de interruptores.
	<input type="checkbox"/> Revisa para asegurar que los interruptores en línea del control remoto y el receptor estén configurados en la misma frecuencia.
El ventilador hace ruido.	<input type="checkbox"/> Asegúrate de que los tornillos de la carcasa del motor estén bien ajustados.
	<input type="checkbox"/> Asegurar que los tornillos que fijan el brazo del aspa del ventilador al cuerpo del motor estén bien ajustados.
	<input type="checkbox"/> Asegura que las conexiones de tuerca de cable no choquen unas con otras ni con la pared interior de la caja del interruptor.
	<input type="checkbox"/> Deja que pasen 24 horas como período de “adaptación”. La mayoría de los ruidos asociados a un ventilador nuevo desaparecen en ese lapso.
	<input type="checkbox"/> Al usar el kit de luz para ventilador de techo, asegurar que los tornillos que sujetan el vidrio estén bien ajustados. Verifica así mismo que la bombilla esté bien fijada.
	<input type="checkbox"/> Asegurar que la cubierta esté a corta distancia del cielo raso a la cubierta. No debe tocar el cielo raso.
	<input type="checkbox"/> Asegurar que tu caja del cielo raso esté bien segura y que almohadillas aislantes de goma se hayan instalado entre el soporte de montaje y la caja eléctrica.
El control remoto no funciona.	<input type="checkbox"/> No conectes el ventilador con control o controles de velocidad variable montados en pared.
	<input type="checkbox"/> Revisa para asegurar que los interruptores en línea del control remoto y el receptor estén configurados en la misma frecuencia.
El ventilador oscila.	<input type="checkbox"/> Verifica que todas las aspas y los tornillos de sus brazos estén bien ajustados.
	<input type="checkbox"/> La mayoría de los problemas de oscilación del ventilador derivan de que sus aspas no están al mismo nivel. Verifica este nivel seleccionando un punto en el cielo raso sobre la punta de una de las aspas. Medir desde un punto en el centro de cada aspa al punto en el cielo raso. Gira el ventilador hasta que la siguiente aspa quede en posición para medir. Repite el procedimiento para cada aspa. Las desviaciones de la medición no deben pasar de 1/8 plg (0.32 cm). Deja que el ventilador funcione por 10 minutos.
	<input type="checkbox"/> Use the enclosed blade balancing kit if the blade wobble is still noticeable.

# Declaración de FCC

---

Este equipo fue sometido a prueba y se determinó que cumple con los límites establecidos para un dispositivo digital Clase B, conforme a la Parte 15 de las Normas FCC. Estos límites fueron establecidos para dar protección razonable contra interferencia dañina en instalación residencial. Este equipo genera, usa y puede irradiar energía en radiofrecuencias; de no ser instalado y utilizado de acuerdo con las instrucciones, pudiera causar interferencia dañina a comunicaciones por radio. Sin embargo, no hay garantía de que no ocurrirá interferencia en cierta instalación particular. Si este equipo causa interferencia nociva a la recepción de radio o televisión, lo cual puede determinarse encendiéndolo y apagándolo, se recomienda que el usuario trate de corregir la interferencia con una o más de las siguientes medidas:

- Reorientar o reubicar la antena receptora.
- Aumentar la distancia entre el equipo y el receptor.
- Conectar el equipo a un tomacorriente en un circuito diferente al que está conectado el receptor.
- Consultar al distribuidor o a un técnico con experiencia en instalaciones de radio/TV.

## **PRECAUCIÓN:**

Este dispositivo cumple con la Parte 15 de las Normas FCC. La operación está sujeta a las dos condiciones siguientes: (1) Este dispositivo no puede causar interferencia dañina, y (2) Este dispositivo debe aceptar cualquier interferencia recibida, incluyendo interferencias que puedan causar una operación no deseada.

La parte siguiente responsable designada en la norma FCC §2.909 responde por esta declaración: Modelo # 34776-HBU, 34776-HBUM, 34776-HBUG Nombre de la compañía: Eurofase Inc. Domicilio social de la compañía: 60 Industrial Parkway, Unit 802, Cheektowaga, NY 14227-2713  
Nombre completo: Kent Yin - Título: Gerente de Desarrollo de Productos  
Número telefónico: 905-695-2055 Ext. 259 Facsímil: 905-695-2056



# **HOME**

## **DECORATORS**

### **C O L L E C T I O N**

¿Preguntas, problemas, partes o piezas faltantes? Antes de devolver a la tienda, llamar al Servicio al Cliente de Home Decorators Collection, de lunes a viernes entre 8:00 a.m. y 7:00 p.m. (hora de Este), y los sábados de 9:00 a.m. a 6:00 p.m. (hora del Este).

**1-800-986 3460**

**[HOMEDEPOT.COM/HOMEDECORATORS](http://HOMEDEPOT.COM/HOMEDECORATORS)**

Conserva este manual para uso futuro.